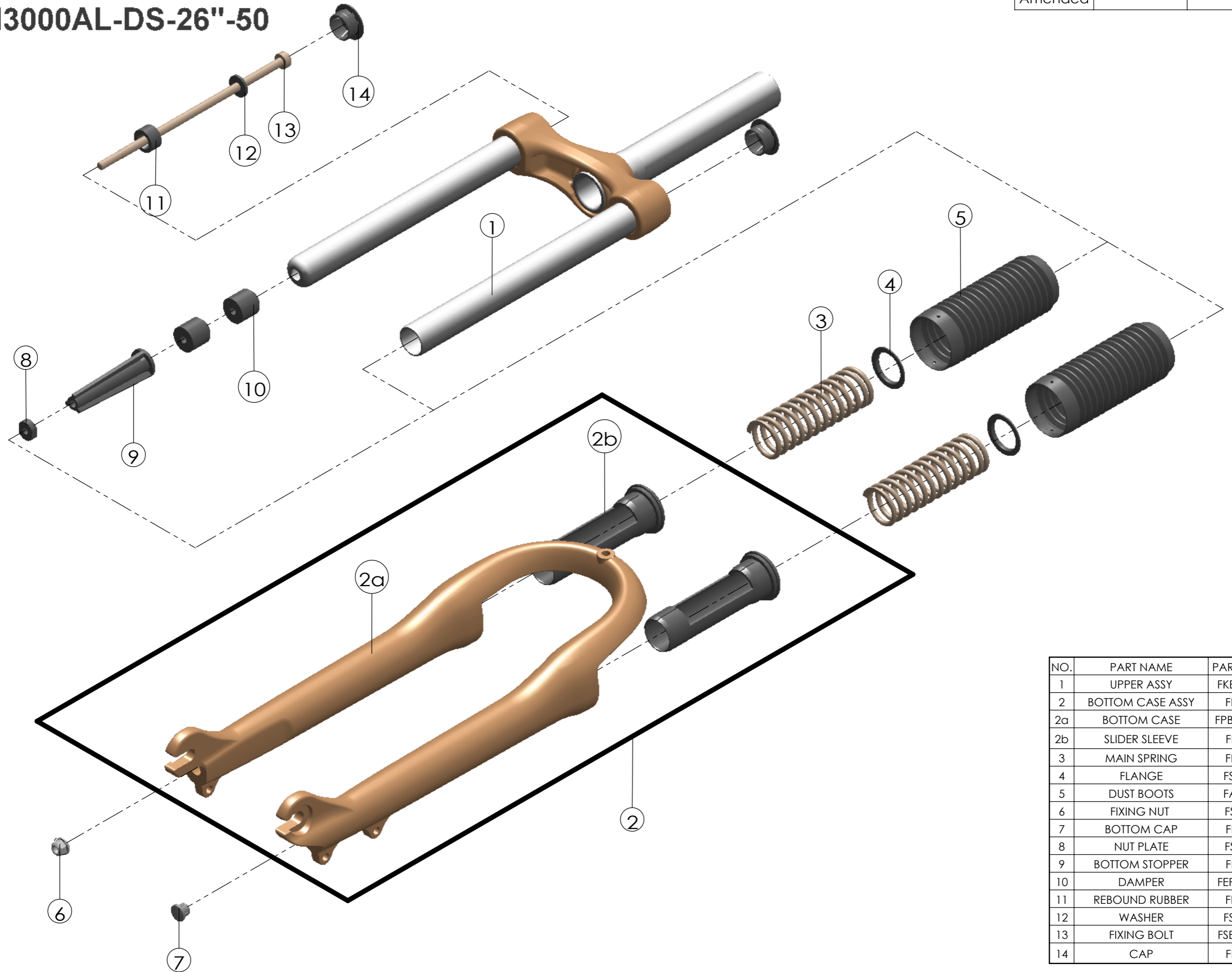


SUNTOUR

SF10-M3000AL-DS-26"-50

Date	2010.1.13	Version	1
Amended			



NO.	PART NAME	PART CODE	QTY.
1	UPPER ASSY	FKE173-10	1
2	BOTTOM CASE ASSY	FKE345	1
2a	BOTTOM CASE	FPB250-AA	1
2b	SLIDER SLEEVE	FEE831	2
3	MAIN SPRING	FEP068	2
4	FLANGE	FSW004	2
5	DUST BOOTS	FAA066	2
6	FIXING NUT	FSN023	1
7	BOTTOM CAP	FEE795	1
8	NUT PLATE	FSN025	1
9	BOTTOM STOPPER	FEE832	1
10	DAMPER	FEP065-02	2
11	REBOUND RUBBER	FEP066	1
12	WASHER	FSW003	1
13	FIXING BOLT	FSB067-80	1
14	CAP	FEE072	2