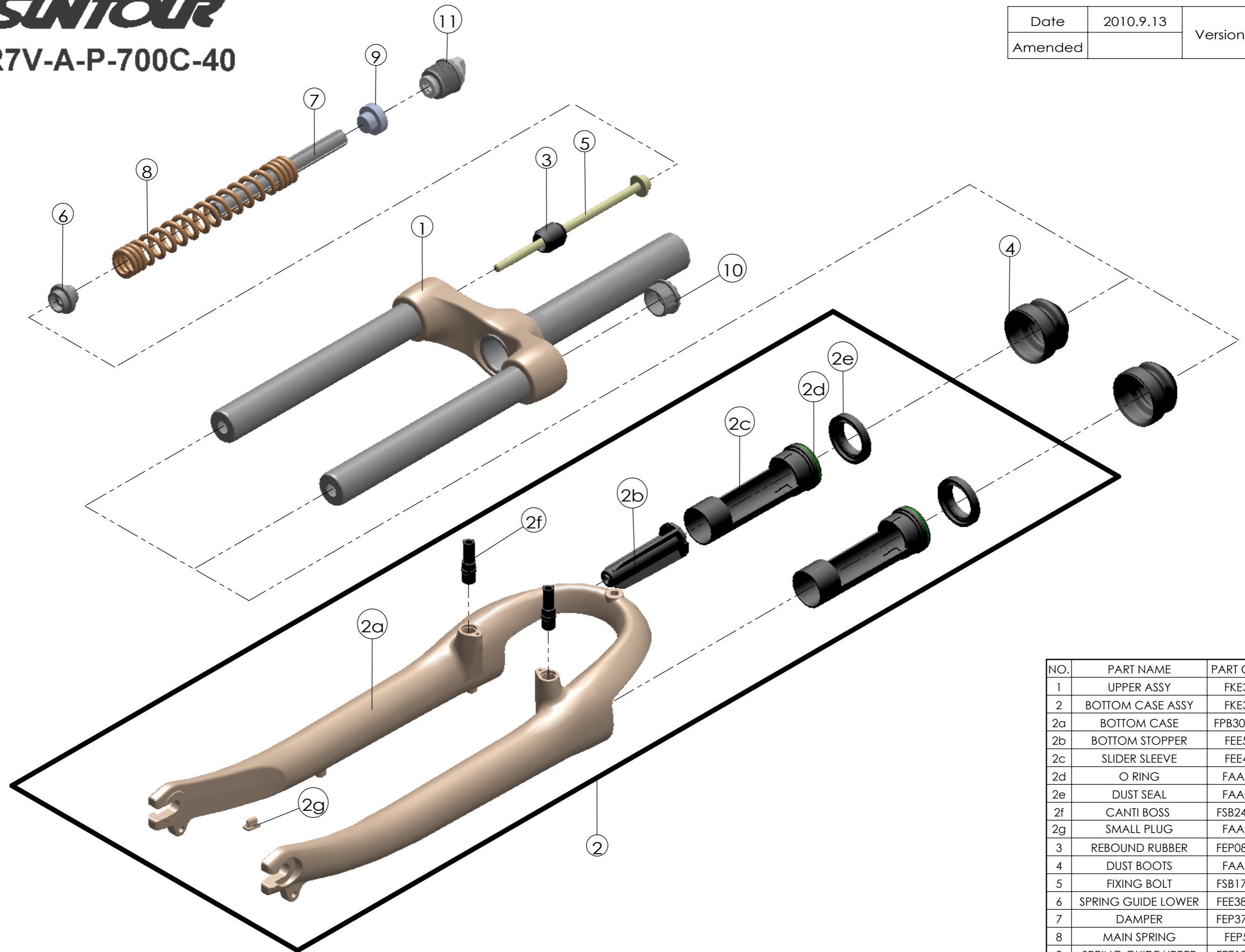


# SUNTOUR

## SF11-CR7V-A-P-700C-40

Date	2010.9.13	Version	1
Amended			



NO.	PART NAME	PART CODE	QTY.
1	UPPER ASSY	FKE392	1
2	BOTTOM CASE ASSY	FKE393	1
2a	BOTTOM CASE	FPB306-AA	1
2b	BOTTOM STOPPER	FEE505	1
2c	SLIDER SLEEVE	FEE475	2
2d	O RING	FAA188	2
2e	DUST SEAL	FAA068	2
2f	CANTI BOSS	FSB241-16	2
2g	SMALL PLUG	FAA353	1
3	REBOUND RUBBER	FEP086-10	1
4	DUST BOOTS	FAA159	2
5	FIXING BOLT	FSB171-00	1
6	SPRING GUIDE LOWER	FEE385-40	1
7	DAMPER	FEP376-10	1
8	MAIN SPRING	FEP571	1
9	SPRING GUIDE UPPER	FEE196-20	1
10	DUST SEAL	FEE514	1
11	CONTROL ADJUST SYSTEM	FKE005-10	1