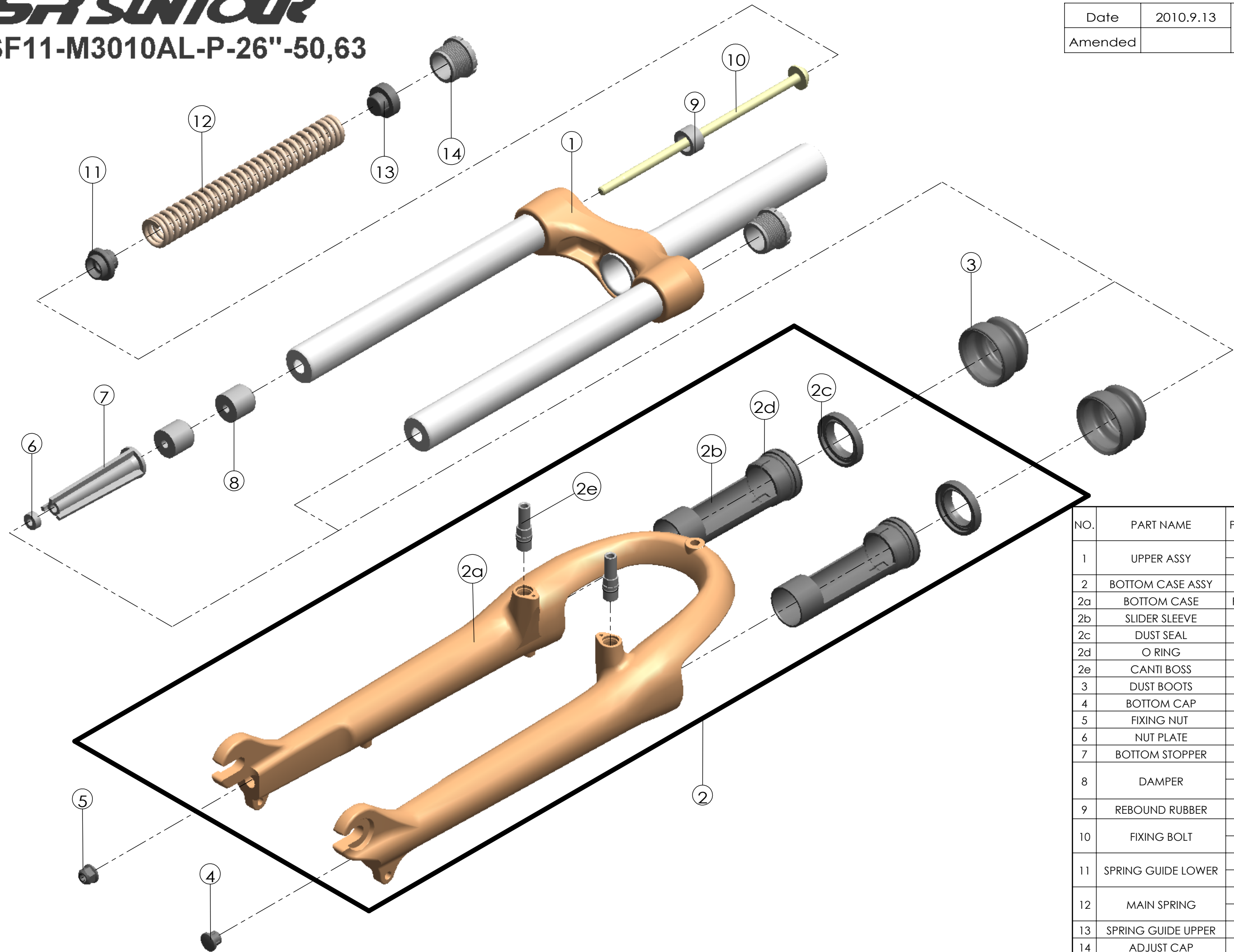


# SF SUNTOUR

## SF11-M3010AL-P-26"-50,63

|         |           |         |   |
|---------|-----------|---------|---|
| Date    | 2010.9.13 | Version | 1 |
| Amended |           |         |   |



| NO. | PART NAME          | PART CODE | QTY. |    |
|-----|--------------------|-----------|------|----|
|     |                    |           | 50   | 63 |
| 1   | UPPER ASSY         | FKE343-50 | 1    | -  |
|     |                    | FKE343-60 | -    | 1  |
| 2   | BOTTOM CASE ASSY   | FKE395    | 1    | 1  |
| 2a  | BOTTOM CASE        | FPB304-AA | 1    | 1  |
| 2b  | SLIDER SLEEVE      | FEE475    | 2    | 2  |
| 2c  | DUST SEAL          | FAA068    | 2    | 2  |
| 2d  | O RING             | FAA188    | 2    | 2  |
| 2e  | CANTI BOSS         | FSB241-16 | 2    | 2  |
| 3   | DUST BOOTS         | FAA159    | 2    | 2  |
| 4   | BOTTOM CAP         | FEE795    | 1    | 1  |
| 5   | FIXING NUT         | FSN023    | 1    | 1  |
| 6   | NUT PLATE          | FSN025-10 | 1    | 1  |
| 7   | BOTTOM STOPPER     | FEE988    | 1    | 1  |
| 8   | DAMPER             | FEP065-02 | 2    | -  |
|     |                    | FEP065-01 | -    | 1  |
| 9   | REBOUND RUBBER     | FEP066    | 1    | 1  |
| 10  | FIXING BOLT        | FSB171-11 | 1    | -  |
|     |                    | FSB157-00 | -    | 1  |
| 11  | SPRING GUIDE LOWER | FEE385-30 | 1    | -  |
|     |                    | FEE385-40 | -    | 1  |
| 12  | MAIN SPRING        | FEP559    | 1    | -  |
|     |                    | FEP681    | -    | 1  |
| 13  | SPRING GUIDE UPPER | FEE196-20 | -    | 1  |
| 14  | ADJUST CAP         | FEE675    | 2    | 2  |