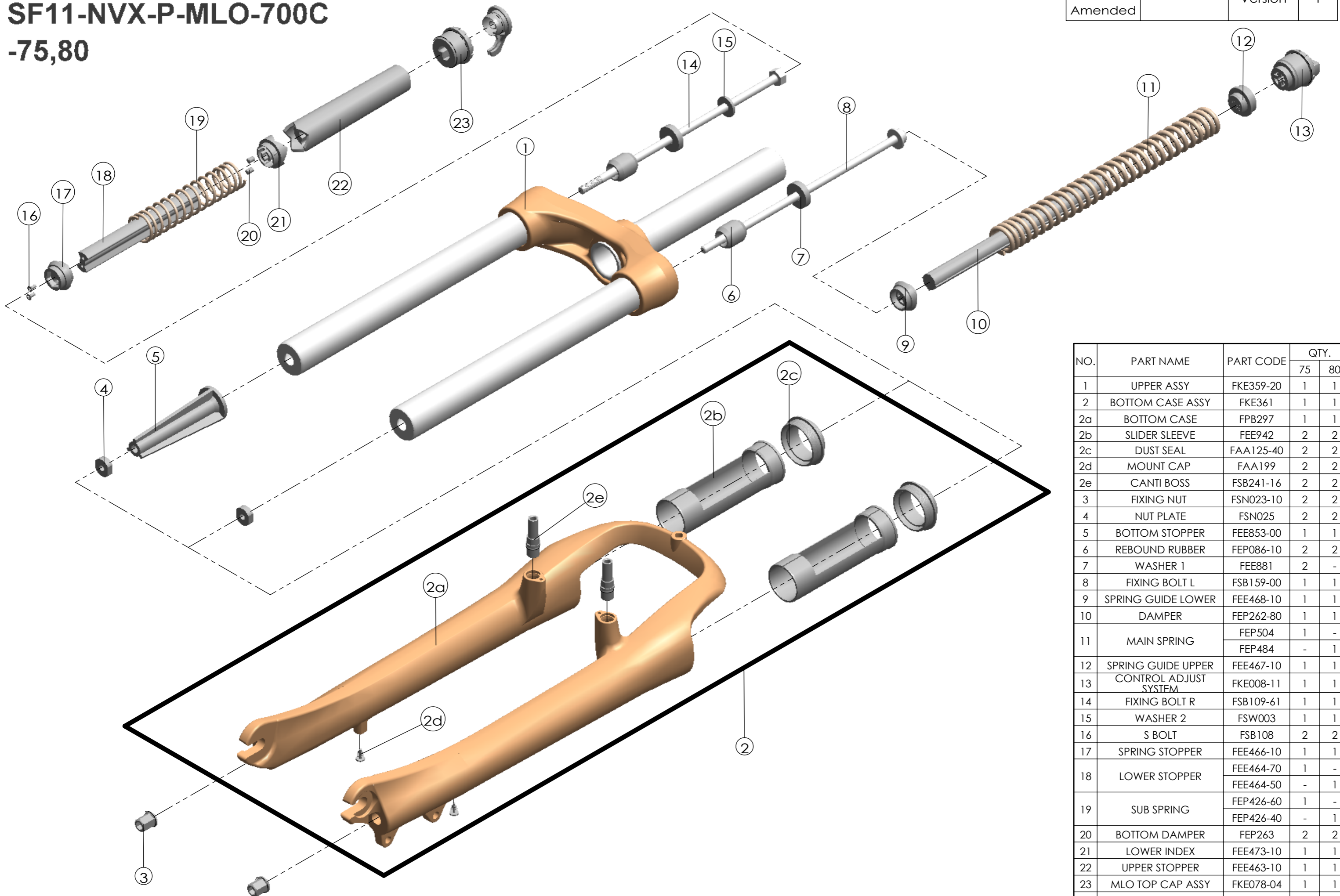


# SR SUNTOUR

## SF11-NVX-P-MLO-700C

### -75,80

Date	2010.2.10	Version	1
Amended			



NO.	PART NAME	PART CODE	QTY.	
			75	80
1	UPPER ASSY	FKE359-20	1	1
2	BOTTOM CASE ASSY	FKE361	1	1
2a	BOTTOM CASE	FPB297	1	1
2b	SLIDER SLEEVE	FEE942	2	2
2c	DUST SEAL	FAA125-40	2	2
2d	MOUNT CAP	FAA199	2	2
2e	CANTI BOSS	FSB241-16	2	2
3	FIXING NUT	FSN023-10	2	2
4	NUT PLATE	FSN025	2	2
5	BOTTOM STOPPER	FEE853-00	1	1
6	REBOUND RUBBER	FEP086-10	2	2
7	WASHER 1	FEE881	2	-
8	FIXING BOLT L	FSB159-00	1	1
9	SPRING GUIDE LOWER	FEE468-10	1	1
10	DAMPER	FEP262-80	1	1
11	MAIN SPRING	FEP504	1	-
		FEP484	-	1
12	SPRING GUIDE UPPER	FEE467-10	1	1
13	CONTROL ADJUST SYSTEM	FKE008-11	1	1
14	FIXING BOLT R	FSB109-61	1	1
15	WASHER 2	FSW003	1	1
16	S BOLT	FSB108	2	2
17	SPRING STOPPER	FEE466-10	1	1
18	LOWER STOPPER	FEE464-70	1	-
		FEE464-50	-	1
19	SUB SPRING	FEP426-60	1	-
		FEP426-40	-	1
20	BOTTOM DAMPER	FEP263	2	2
21	LOWER INDEX	FEE473-10	1	1
22	UPPER STOPPER	FEE463-10	1	1
23	MLO TOP CAP ASSY	FKE078-04	1	1
23a	MLO KNOB	FEE493-20	1	1