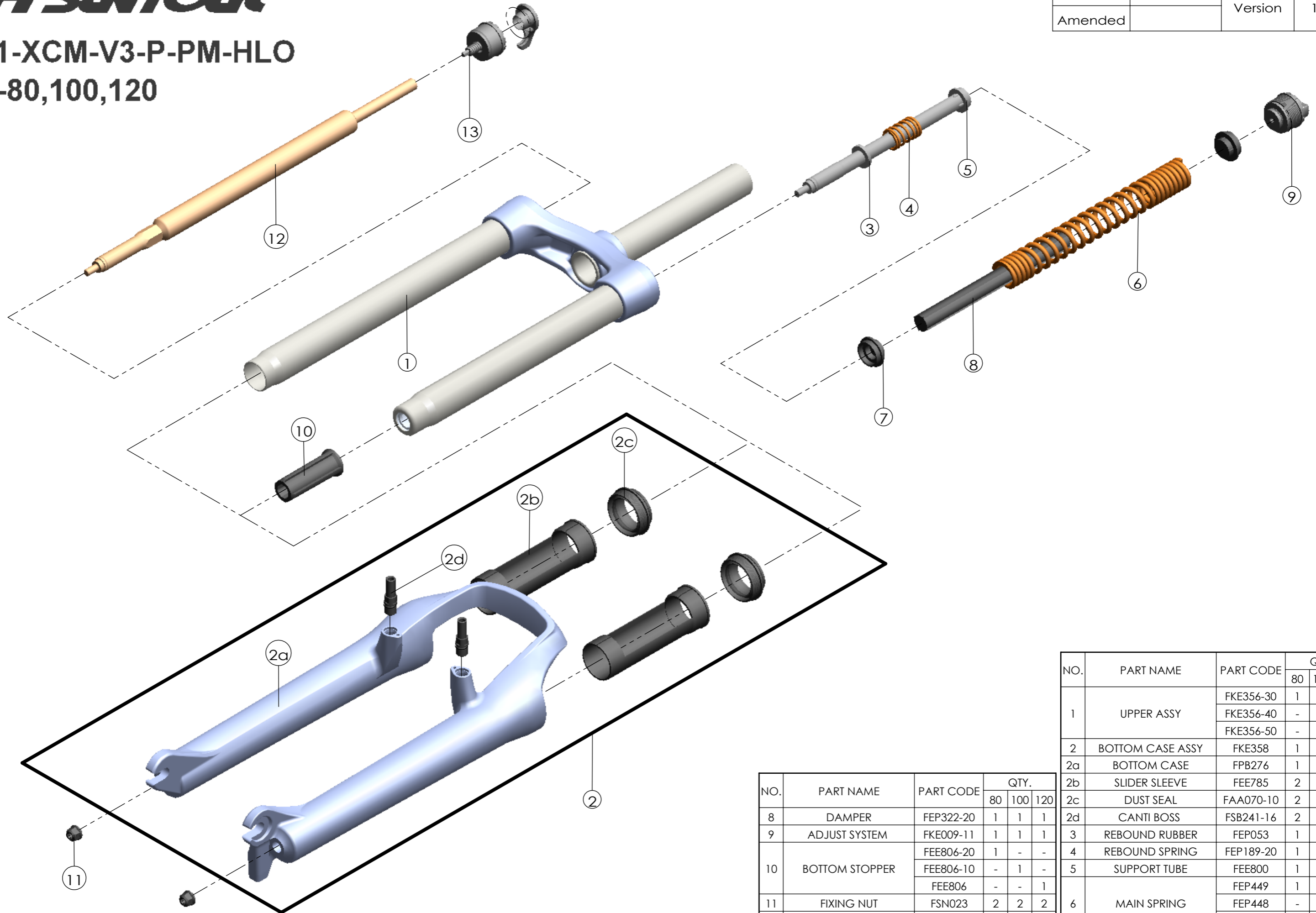


SUNTOUR

SF11-XCM-V3-P-PM-HLO -26"-80,100,120

Date	2010.2.4	Version	1
Amended			



NO.	PART NAME	PART CODE	QTY.		
			80	100	120
8	DAMPER	FEP322-20	1	1	1
9	ADJUST SYSTEM	FKE009-11	1	1	1
10	BOTTOM STOPPER	FEE806-20	1	-	-
		FEE806-10	-	1	-
		FEE806	-	-	1
11	FIXING NUT	FSN023	2	2	2
12	DAMPER UNIT	FUN050-11	1	1	1
13	LO ADJUST SYSTEM	FKE028-26	1	1	1

NO.	PART NAME	PART CODE	QTY.		
			80	100	120
1	UPPER ASSY	FKE356-30	1	-	-
		FKE356-40	-	1	-
		FKE356-50	-	-	1
2	BOTTOM CASE ASSY	FKE358	1	1	1
2a	BOTTOM CASE	FPB276	1	1	1
2b	SLIDER SLEEVE	FEE785	2	2	2
2c	DUST SEAL	FAA070-10	2	2	2
2d	CANTI BOSS	FSB241-16	2	2	2
3	REBOUND RUBBER	FEP053	1	1	1
4	REBOUND SPRING	FEP189-20	1	1	1
5	SUPPORT TUBE	FEE800	1	1	1
		FEP449	1	-	-
		FEP448	-	1	-
6	MAIN SPRING	FEP447	-	-	1
		FEE434-20	2	2	2
7	SPRING GUIDE	FEE434-20	2	2	2