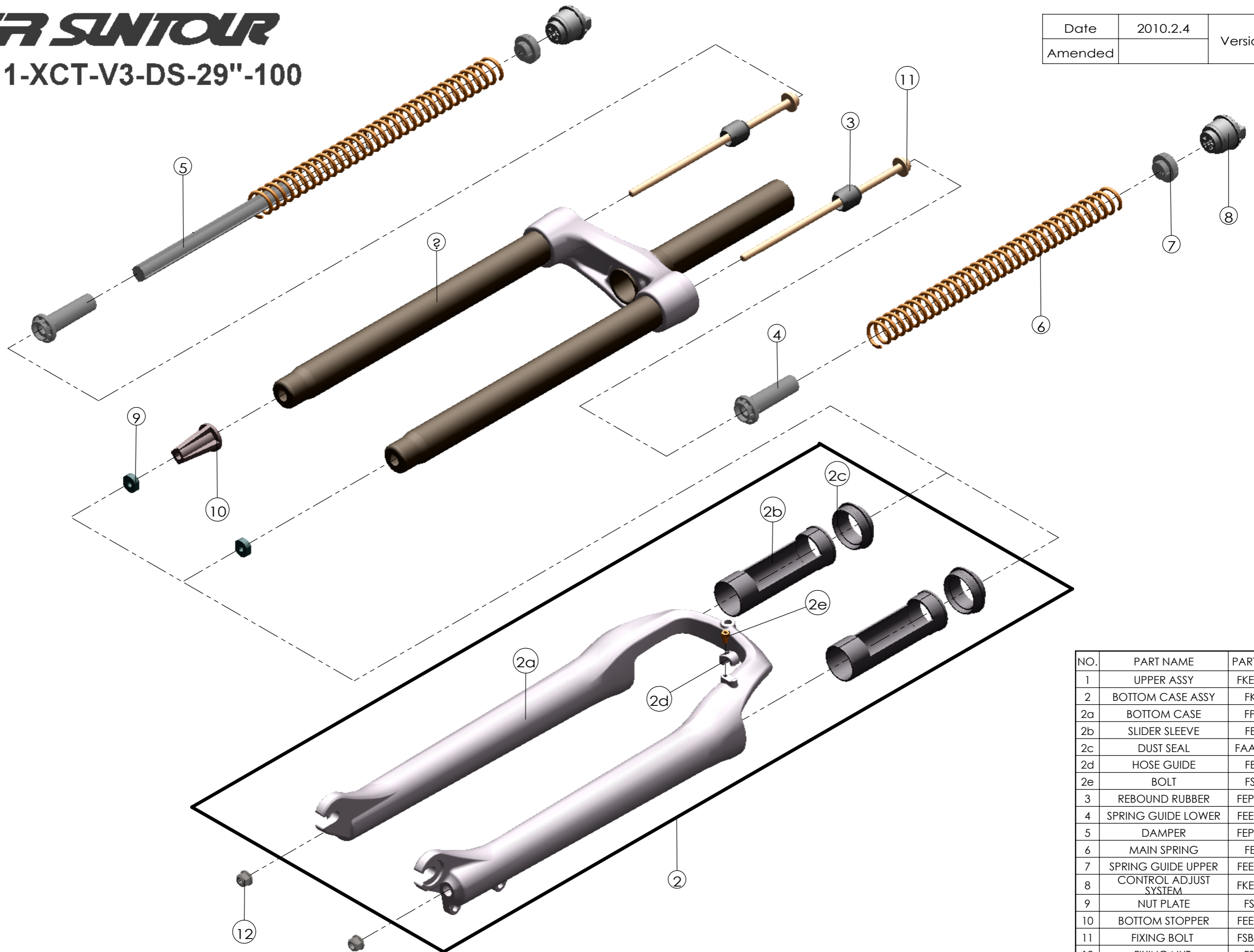


# SF SUNTOUR

## SF11-XCT-V3-DS-29"-100

|         |          |         |   |
|---------|----------|---------|---|
| Date    | 2010.2.4 | Version | 1 |
| Amended |          |         |   |



| NO. | PART NAME             | PART CODE | QTY. |
|-----|-----------------------|-----------|------|
| 1   | UPPER ASSY            | FKE354-10 | 1    |
| 2   | BOTTOM CASE ASSY      | FKE355    | 1    |
| 2a  | BOTTOM CASE           | FPB279    | 1    |
| 2b  | SLIDER SLEEVE         | FEE942    | 2    |
| 2c  | DUST SEAL             | FAA125-40 | 2    |
| 2d  | HOSE GUIDE            | FEE797    | 1    |
| 2e  | BOLT                  | FSB153    | 1    |
| 3   | REBOUND RUBBER        | FEP086-10 | 2    |
| 4   | SPRING GUIDE LOWER    | FEE502-30 | 2    |
| 5   | DAMPER                | FEP262-20 | 1    |
| 6   | MAIN SPRING           | FEP400    | 2    |
| 7   | SPRING GUIDE UPPER    | FEE389-40 | 2    |
| 8   | CONTROL ADJUST SYSTEM | FKE008-11 | 2    |
| 9   | NUT PLATE             | FSN025    | 2    |
| 10  | BOTTOM STOPPER        | FEE909-00 | 1    |
| 11  | FIXING BOLT           | FSB159-03 | 2    |
| 12  | FIXING NUT            | FSN023    | 2    |