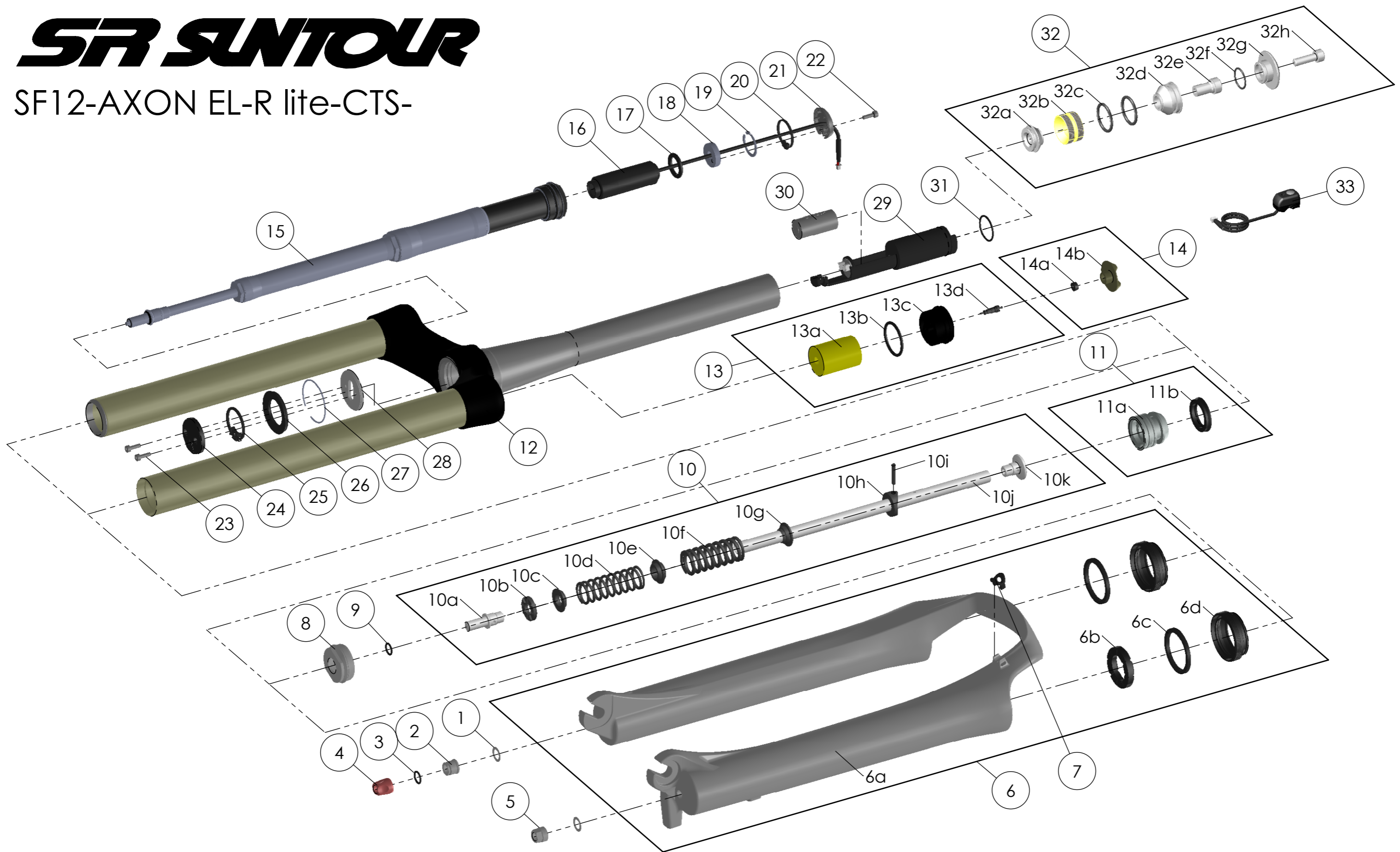


# SR SUNTOUR

## SF12-AXON EL-R lite-CTS-



| NO. | PARTS CODE | PARTS NAME   | 80 | 100 | QT | NO. | PARTS CODE | PARTS NAME        | 80 | 100 | QT | NO. | PARTS CODE | PARTS NAME        | 80 | 100 | QT |
|-----|------------|--------------|----|-----|----|-----|------------|-------------------|----|-----|----|-----|------------|-------------------|----|-----|----|
| 31  | FAA184     | O RING       | *  | *   | 1  | 14  | FKE076-50  | VALVE CAP ASSY    | *  | *   | 1  | 1   | CSS014     | SPACER            | *  | *   | 2  |
| 32  | FKE210     | TOP CAP ASSY | *  | *   | 1  | 15  | FUN064-00  | DAMPER UNIT       | *  | *   | 1  | 2   | FSN055     | FIXING NUT        | *  | *   | 1  |
| 33  | FUN049-00  | SWITCH UNIT  | *  | *   | 1  | 16  | FUN047-00  | ACTUATOR UNIT     | *  | *   | 1  | 3   | FAA276     | O RING            | *  | *   | 1  |
|     |            |              |    |     |    | 17  | FAA279     | O RING            | *  | *   | 1  | 4   | FEE923     | REBOUND KNOB      | *  | *   | 1  |
|     |            |              |    |     |    | 18  | FEE779-10  | ACTUATOR CAP      | *  | *   | 1  | 5   | FSN033     | FIXING NUT        | *  | *   | 1  |
|     |            |              |    |     |    | 19  | FSS031     | SNAP RING         | *  | *   | 1  | 6   | FKE432-08  | BOTTOM CASE ASSY  | *  | *   | 1  |
|     |            |              |    |     |    | 20  | FEE775     | REMOTE COVER SEAL | *  | *   | 1  | 6b  | FEP233-10  | BOTTOM BUMPER     | *  | *   | 1  |
|     |            |              |    |     |    | 21  | FEE774     | REMOTE COVER      | *  | *   | 1  | 6c  | FAA207     | OIL WIPER         | *  | *   | 2  |
|     |            |              |    |     |    | 22  | FSB091-30  | FIXING BOLT       | *  | *   | 1  | 6d  | FAA169-30  | DUST SEAL         | *  | *   | 2  |
|     |            |              |    |     |    | 23  | FSB091-30  | FIXING BOLT       | *  | *   | 2  | 7   | FEG034     | CABLE CLIP        | *  | *   | 1  |
|     |            |              |    |     |    | 24  | FEE776     | LOWER COVER       | *  | *   | 1  | 8   | FEE243-20  | FORK NOSE         | *  | *   | 1  |
|     |            |              |    |     |    | 25  | FEE777     | LOWER COVER SEAL  | *  | *   | 1  | 9   | FAA175     | O RING            | *  | *   | 1  |
|     |            |              |    |     |    | 26  | FEG017     | REDUCER PLATE     | *  | *   | 1  | 10  | FKE115-10  | SUPPORT TUBE ASSY | *  | *   | 1  |
|     |            |              |    |     |    | 27  | FSS001-30  | SNAP WIRE         | *  | *   | 1  | 11  | FKA022-20  | PISTON UNIT       | *  | *   | 1  |
|     |            |              |    |     |    | 28  | FEE780-10  | FIXING PLATE      | *  | *   | 1  | 12  | FKE405     | UPPER ASSY        | *  | *   | 1  |
|     |            |              |    |     |    | 29  | FUN048-00  | CONTROLLER UNIT   | *  | *   | 1  | 13  | FKE075-24  | AIR CAP ASSY      | *  | *   | 1  |
|     |            |              |    |     |    | 30  | FA285      | BATTERY           | *  | *   | 1  |     |            |                   |    |     |    |