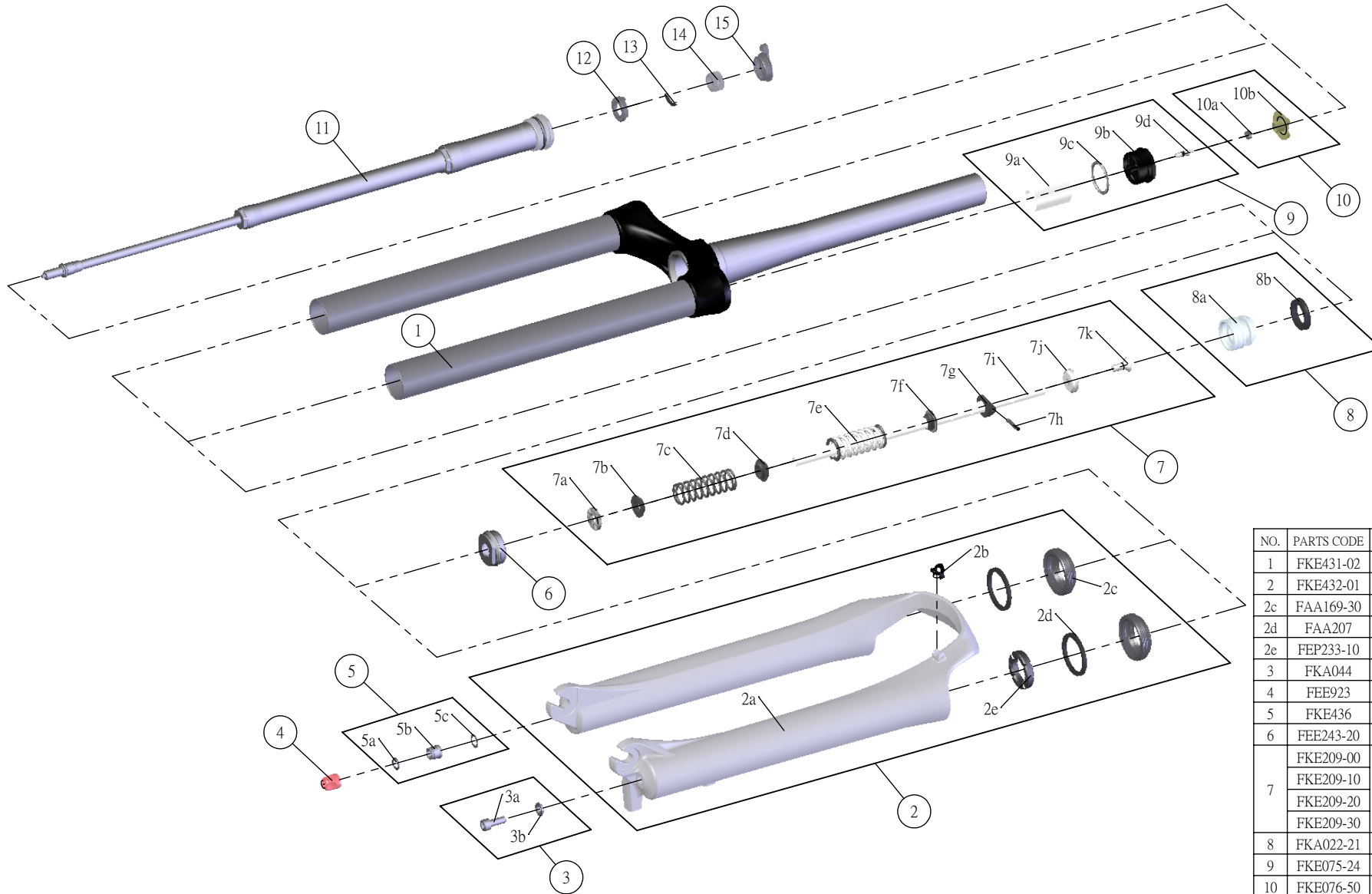


# SUNTOUR

## SF12-EPICON-X1-DS-LO-R-lite-CTS-26-

|         |            |         |   |
|---------|------------|---------|---|
| Date    | 2013.07.19 | Version | 1 |
| Amended |            |         |   |



| NO. | PARTS CODE | PARTS NAME        | 80 | 100 | 120 | 140 | QT |
|-----|------------|-------------------|----|-----|-----|-----|----|
| 1   | FKE431-02  | UPPER ASSY        | *  | *   | *   | *   | 1  |
| 2   | FKE432-01  | BOTTOM CASE ASSY  | *  | *   | *   | *   | 1  |
| 2c  | FAA169-30  | DUST SEAL         | *  | *   | *   | *   | 2  |
| 2d  | FAA207     | OIL WIPER 32      | *  | *   | *   | *   | 2  |
| 2e  | FEP233-10  | BOTTOM BUMPER     | *  | *   | *   | *   | 1  |
| 3   | FKA044     | FIXING BOLT SET   | *  | *   | *   | *   | 1  |
| 4   | FEE923     | REBOUND KNOB      | *  | *   | *   | *   | 1  |
| 5   | FKE436     | FIXING NUT SET    | *  | *   | *   | *   | 1  |
| 6   | FEE243-20  | FORK NOSE         | *  | *   | *   | *   | 1  |
| 7   | FKE209-00  | SUPPORT TUBE ASSY | *  | *   | *   | *   | 1  |
|     | FKE209-10  |                   | *  | *   | *   | 1   |    |
|     | FKE209-20  |                   | *  | *   | *   | 1   |    |
|     | FKE209-30  |                   | *  | *   | *   | 1   |    |
| 8   | FKA022-21  | PISTON UNIT       | *  | *   | *   | *   | 1  |
| 9   | FKE075-24  | AIR CAP ASSY      | *  | *   | *   | *   | 1  |
| 10  | FKE076-50  | VALVE CAP ASSY    | *  | *   | *   | *   | 1  |
| 11  | FUN062-10  | LOR UNIT          | *  | *   | *   | *   | 1  |
| 12  | FEE257     | CLICK HOLDER      | *  | *   | *   | *   | 1  |
| 13  | FEE258     | ADJUST CLICK      | *  | *   | *   | *   | 1  |
| 14  | FEE256-10  | ADJUST CORE       | *  | *   | *   | *   | 1  |
| 15  | FEG036-10  | LOCK OUT KNOB     | *  | *   | *   | *   | 1  |