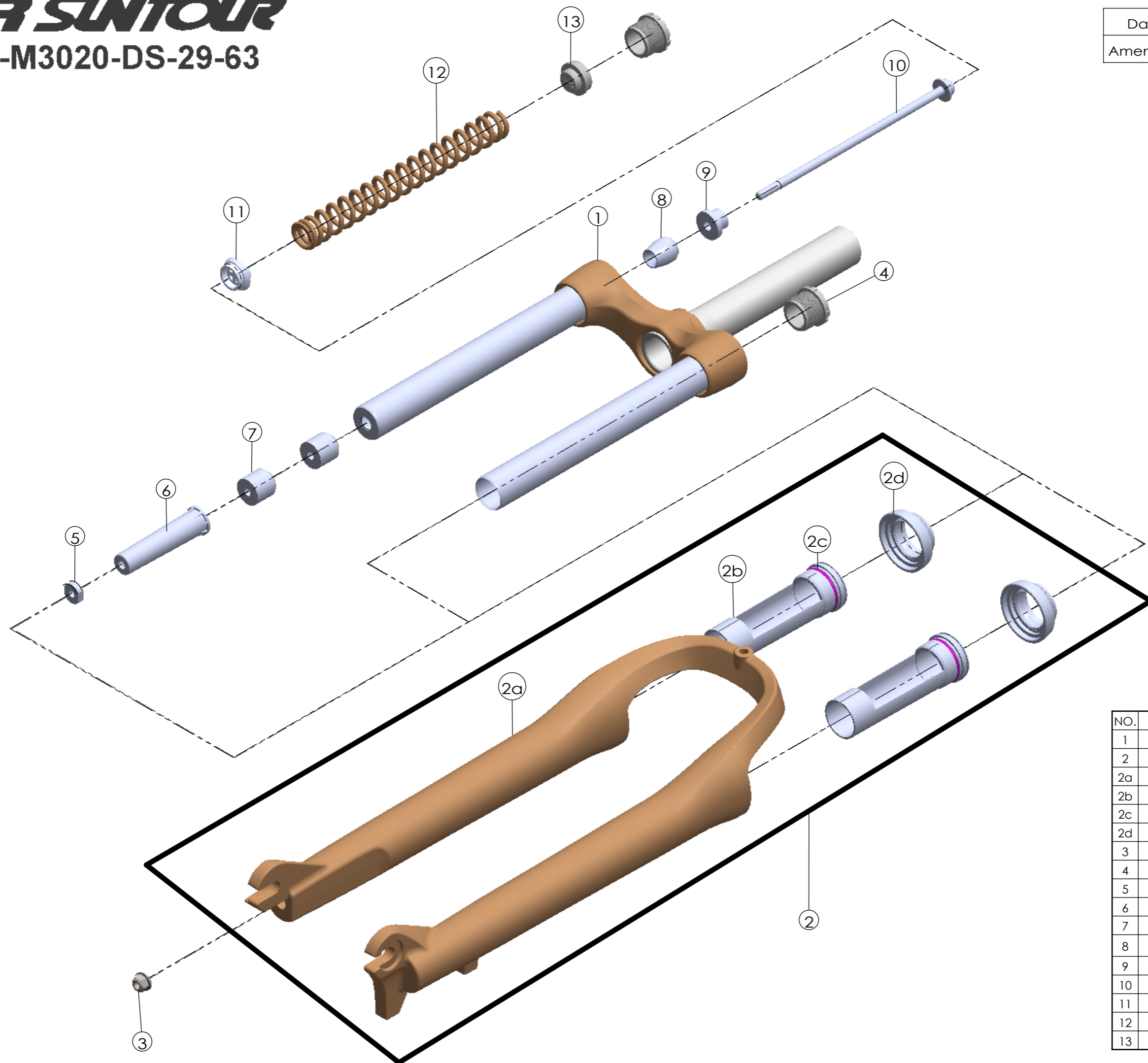


Date	2012.4.23	Version	1
Amended			



NO.	PART NAME	PART CODE	QTY.
1	UPPER ASSY	FKZ016-01	1
2	BOTTOM CASE ASSY	FKZ018-10	1
2a	BOTTOM CASE	FPB345	1
2b	SLIDER SLEEVE	FEE789	2
2c	DUST SEAL	FAA192	2
2d	DUST BOOTS	FAA129	2
3	FIXING NUT	FSN023	1
4	CAP	FEE675-10	2
5	NUT PLATE	FSN025	1
6	BOTTOM STOPPER	FEE451	1
7	DAMPER	FEP065-02	2
8	REBOUND RUBBER	FEP086-10	1
9	DAMPER SPACE	FEE452	1
10	FIXING BOLT	FSB159-07	1
11	SPRING GUIDE	FEE468-10	1
12	MAIN SPRING	FEP624	1
13	SPRING GUIDE	FEE467-10	1