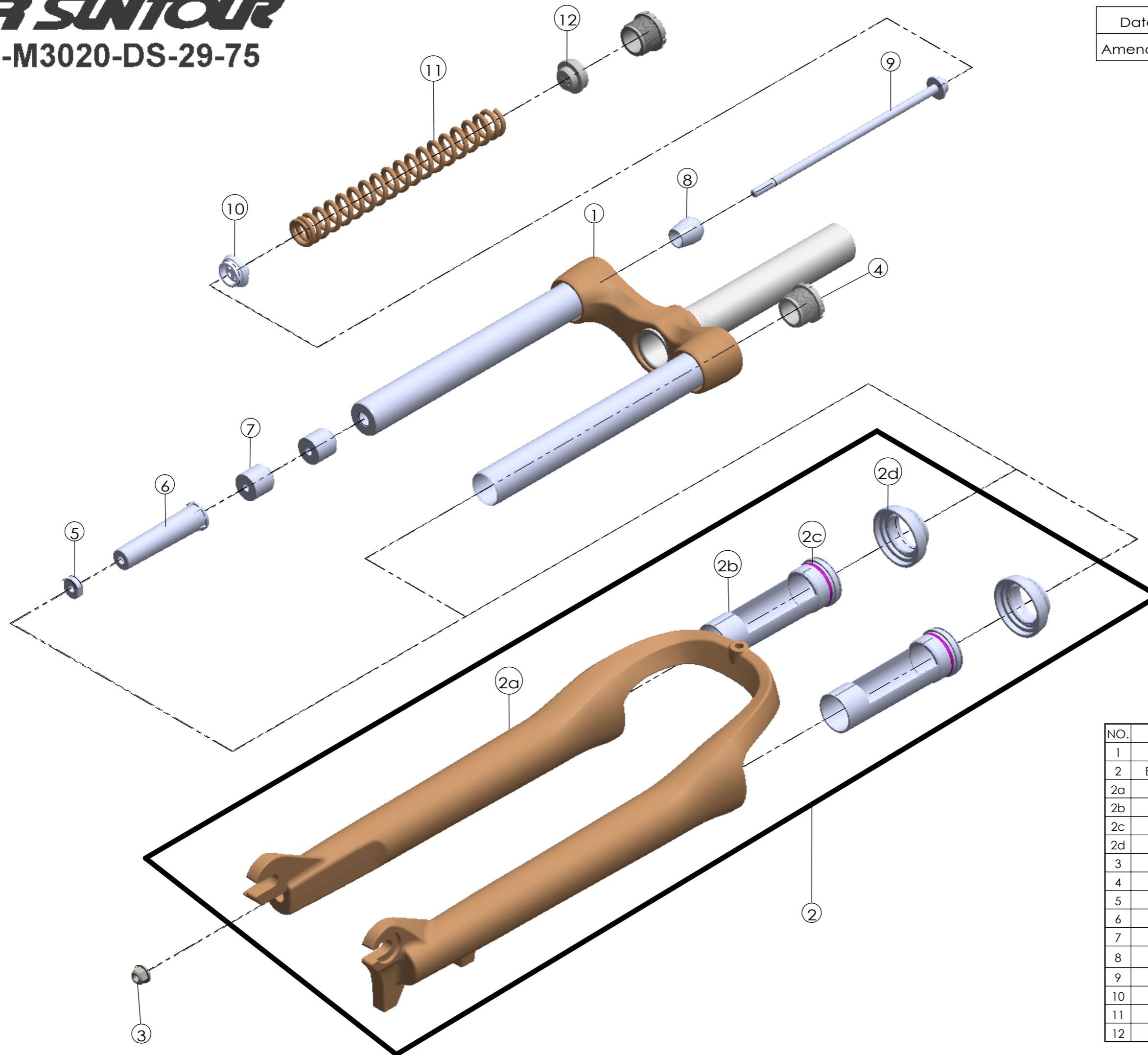


SUNTOUR

SF13-M3020-DS-29-75

| | | | |
|---------|-----------|---------|---|
| Date | 2012.4.23 | Version | 1 |
| Amended | | | |



| NO. | PART NAME | PART CODE | QTY. |
|-----|------------------|-----------|------|
| 1 | UPPER ASSY | FKZ016-01 | 1 |
| 2 | BOTTOM CASE ASSY | FKZ018-10 | 1 |
| 2a | BOTTOM CASE | FPB345 | 1 |
| 2b | SLIDER SLEEVE | FEE789 | 2 |
| 2c | DUST SEAL | FAA192 | 2 |
| 2d | DUST BOOTS | FAA129 | 2 |
| 3 | FIXING NUT | FSN023 | 1 |
| 4 | CAP | FEE675-10 | 2 |
| 5 | NUT PLATE | FSN025 | 1 |
| 6 | BOTTOM STOPPER | FEE451 | 1 |
| 7 | DAMPER | FEP065-02 | 2 |
| 8 | REBOUND RUBBER | FEP086-10 | 1 |
| 9 | FIXING BOLT | FSB159-07 | 1 |
| 10 | SPRING GUIDE | FEE468-10 | 1 |
| 11 | MAIN SPRING | FEP623 | 1 |
| 12 | SPRING GUIDE | FEE467-10 | 1 |