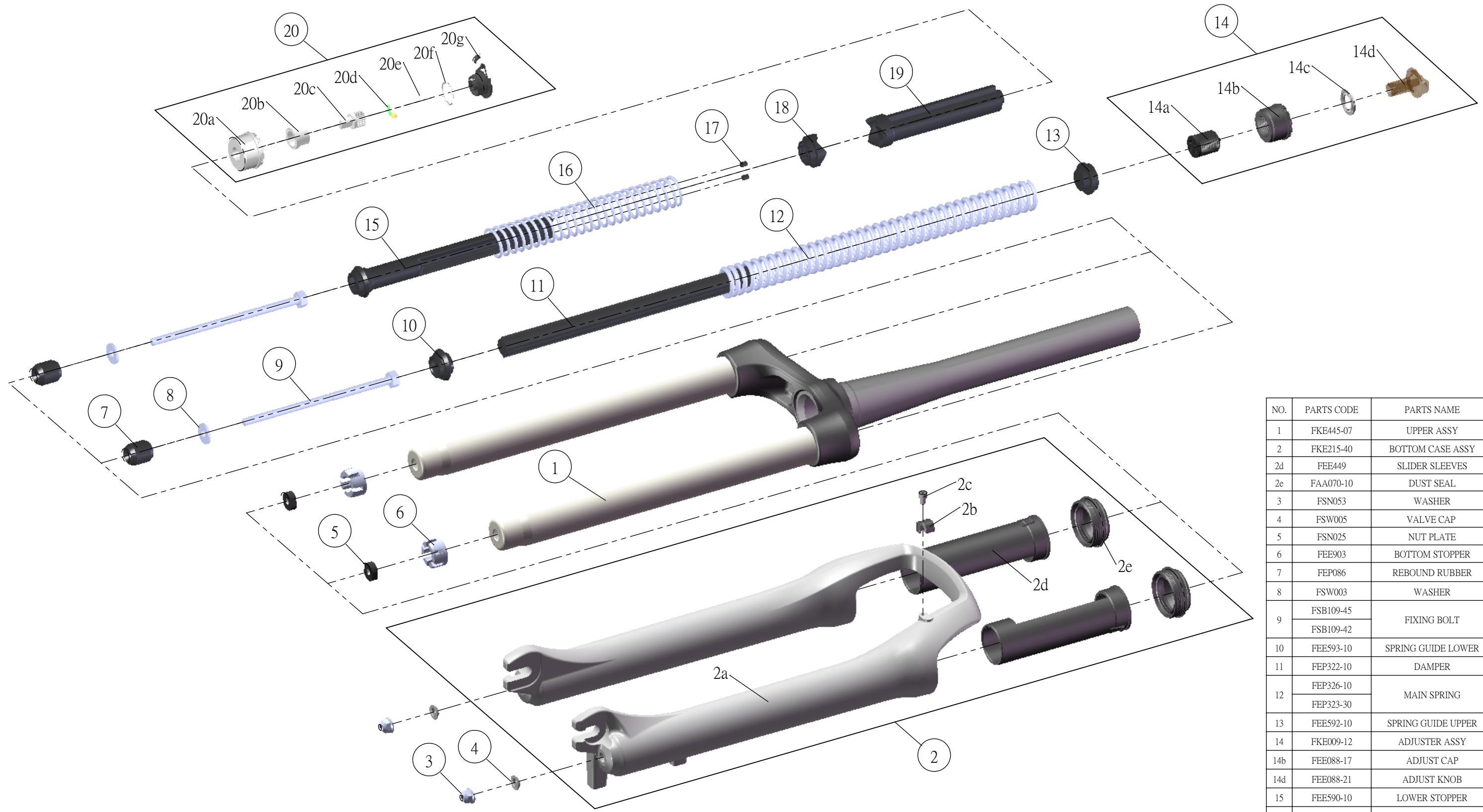


SF SUNTOUR

SF13-XCR-DS-MLO-CTS-26-

Date	2013.07.11	Version	1
Amended			



NO.	PARTS CODE	PARTS NAME	80	100	QT
1	FKE445-07	UPPER ASSY	*	*	1
2	FKE215-40	BOTTOM CASE ASSY	*	*	1
2d	FEE449	SLIDER SLEEVES	*	*	2
2e	FAA070-10	DUST SEAL	*	*	2
3	FSN053	WASHER	*	*	2
4	FSW005	VALVE CAP	*	*	2
5	FSN025	NUT PLATE	*	*	2
6	FEE903	BOTTOM STOPPER	*	*	2
7	FEP086	REBOUND RUBBER	*	*	2
8	FSW003	WASHER	*	*	2
9	FSB109-45	FIXING BOLT	*		2
	FSB109-42			*	2
10	FEE593-10	SPRING GUIDE LOWER	*	*	1
11	FEP322-10	DAMPER	*	*	1
12	FEP326-10	MAIN SPRING	*		1
	FEP323-30			*	1
13	FEE592-10	SPRING GUIDE UPPER	*	*	1
14	FKE009-12	ADJUSTER ASSY	*	*	1
14b	FEE088-17	ADJUST CAP	*	*	1
14d	FEE088-21	ADJUST KNOB	*	*	1
15	FEE590-10	LOWER STOPPER	*	*	1
16	FEP324-10	SUB SPRING	*	*	1
17	FEP263	BOTTOM DAMPER	*	*	2
18	FEE591-10	LOWER INDEX	*	*	1
19	FEE589-10	UPPER STOPPER	*	*	1
20	FKE078-12	MLO TOP CAP ASSY	*	*	1
20a	FEE595-10	ADJUST CAP	*	*	1
20g	FEE493-20	ADJUST KNOB	*	*	1