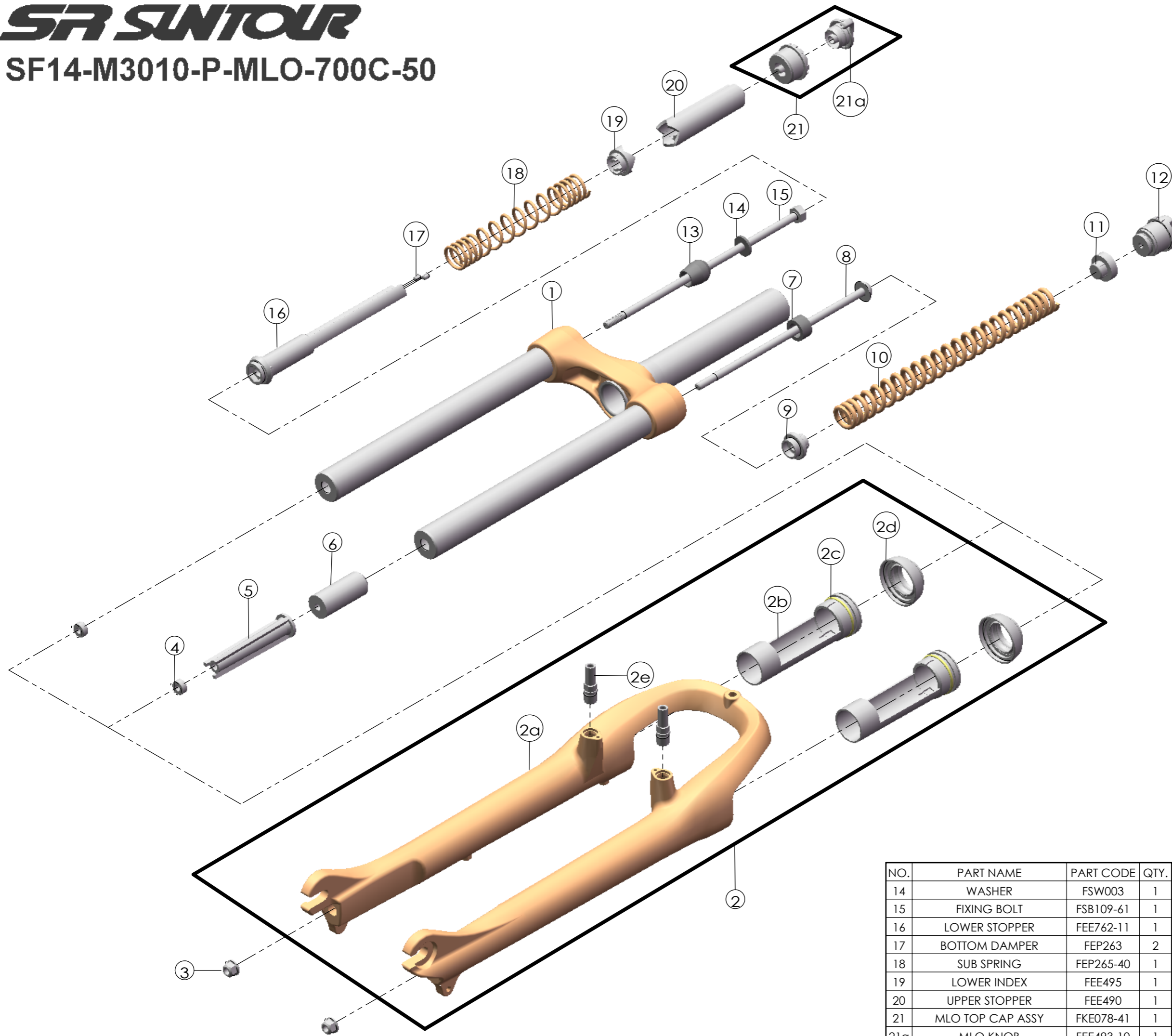


SUNTOUR

SF14-M3010-P-MLO-700C-50

Date	2013.5.16	Version	1
Amended			



NO.	PART NAME	PART CODE	QTY.
14	WASHER	FSW003	1
15	FIXING BOLT	FSB109-61	1
16	LOWER STOPPER	FEE762-11	1
17	BOTTOM DAMPER	FEP263	2
18	SUB SPRING	FEP265-40	1
19	LOWER INDEX	FEE495	1
20	UPPER STOPPER	FEE490	1
21	MLO TOP CAP ASSY	FKE078-41	1
21a	MLO KNOB	FEE493-10	1

NO.	PART NAME	PART CODE	QTY.
1	UPPER ASSY	FKZ033-02	1
2	BOTTOM CASE ASSY	FKZ035-10	1
2a	BOTTOM CASE	FPB359-AA	1
2b	SLIDER SLEEVE	FEE475	2
2c	O RING	FAA188	2
2d	DUST SEAL	FAA123	2
2e	CANTI BOSS	FSB241-16	2
3	FIXING NUT	FSN023	2
4	NUT PLATE	FSN025-10	2
5	BOTTOM STOPPER	FEE834	1
6	DAMPER	FEP065	1
7	REBOUND RUBBER	FEP066	1
8	FIXING BOLT	FSB171-10	1
9	SPRING GUIDE	FEE385-50	1
10	MAIN SPRING	FEP642	1
11	SPRING GUIDE	FEE196-10	1
12	CONTROL ADJUST SYSTEM	FKE007-11	1
13	REBOUND RUBBER	FEP086-10	1