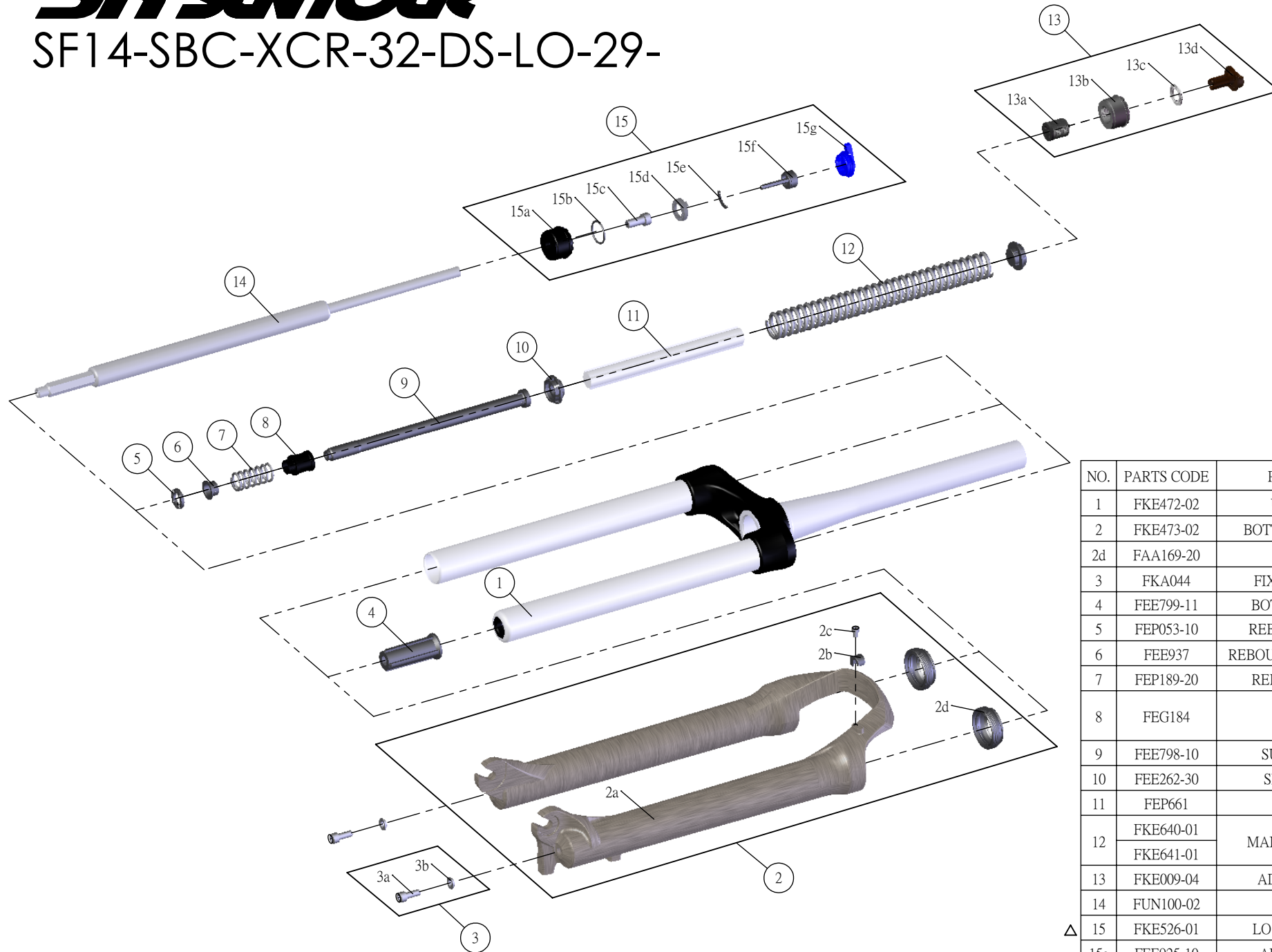


SR SUNTOUR

SF14-SBC-XCR-32-DS-LO-29-

| | | | |
|---------|--------------|---------|---|
| Date | 2014. 09. 22 | Version | 2 |
| Amended | 2014. 12. 01 | | |



| NO. | PARTS CODE | PARTS NAME | 80 | 100 | QT |
|-----|------------|----------------------|----|-----|----|
| 1 | FKE472-02 | UPPER ASSY | * | * | 1 |
| 2 | FKE473-02 | BOTTOM CASE ASSY | * | * | 1 |
| 2d | FAA169-20 | DUST SEAL | * | * | 2 |
| 3 | FKA044 | FIXING BOLT SET | * | * | 2 |
| 4 | FEE799-11 | BOTTOM STOPPER | * | * | 1 |
| 5 | FEP053-10 | REBOUND RUBBER | * | * | 1 |
| 6 | FEE937 | REBOUND SPRING GUIDE | * | * | 1 |
| 7 | FEP189-20 | REBOUND SPRING | * | * | 1 |
| 8 | FEG184 | SPACER | | * | 1 |
| | | | * | | 2 |
| 9 | FEE798-10 | SUPPORT TUBE | * | * | 1 |
| 10 | FEE262-30 | SPRING GUIDE | * | * | 2 |
| 11 | FEP661 | DAMPER | * | * | 1 |
| 12 | FKE640-01 | MAIN SPRING ASSY | | * | 1 |
| | FKE641-01 | | * | | 1 |
| 13 | FKE009-04 | ADJUSTER ASSY | * | * | 1 |
| 14 | FUN100-02 | LO UNIT | * | * | 1 |
| △ | FKE526-01 | LO TOP CAP ASSY | * | * | 1 |
| 15a | FEE925-10 | ADJUST CAP LO | * | * | 1 |
| 15f | FKA066 | ADJUST CORE ASSY | * | * | 1 |
| △ | FEG361-01 | LO KNOB | * | * | 1 |