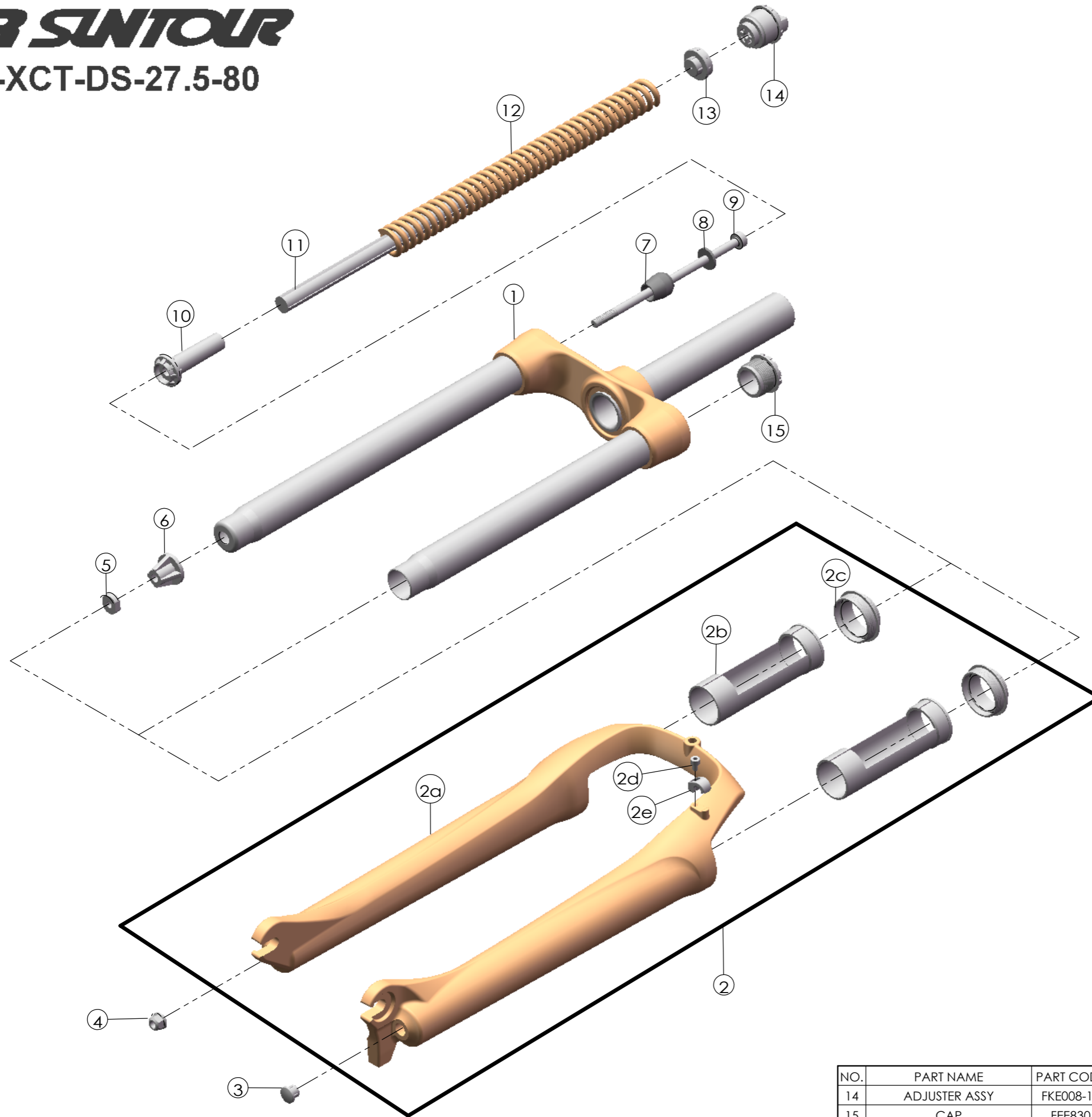


# SUNTOUR

## SF14-XCT-DS-27.5-80

Date	2013.5.17	Version	1
Amended			



NO.	PART NAME	PART CODE	QTY.
1	UPPER ASSY	FKZ041-01	1
2	BOTTOM CASE ASSY	FKZ042-10	1
2a	BOTTOM CASE	FPB361	1
2b	SLIDER SLEEVE	FEE942	2
2c	DUST SEAL	FAA125-40	2
2d	BOLT	FSB153	1
2e	BRACK HOSE GUIDE	FEE797	1
3	BOTTOM CAP	FEE795	1
4	FIXING NUT	FSN023	1
5	NUT PLATE	FSN025	1
6	BOTTOM STOPPER	FEG174	1
7	REBOUND RUBBER	FEP086-10	1
8	WASHER	FSW003	1
9	FIXING BOLT	FSB067-71	1
10	SPRING GUIDE LOWER	FEE502-20	1
11	DAMPER	FEP131-06	1
12	MAIN SPRING	FEP350-30	1
13	SPRING GUIDE UPPER	FEE389-30	1
14	ADJUSTER ASSY	FKE008-11	1
15	CAP	FEE830	1

NO.	PART NAME	PART CODE	QTY.
14	ADJUSTER ASSY	FKE008-11	1
15	CAP	FEE830	1