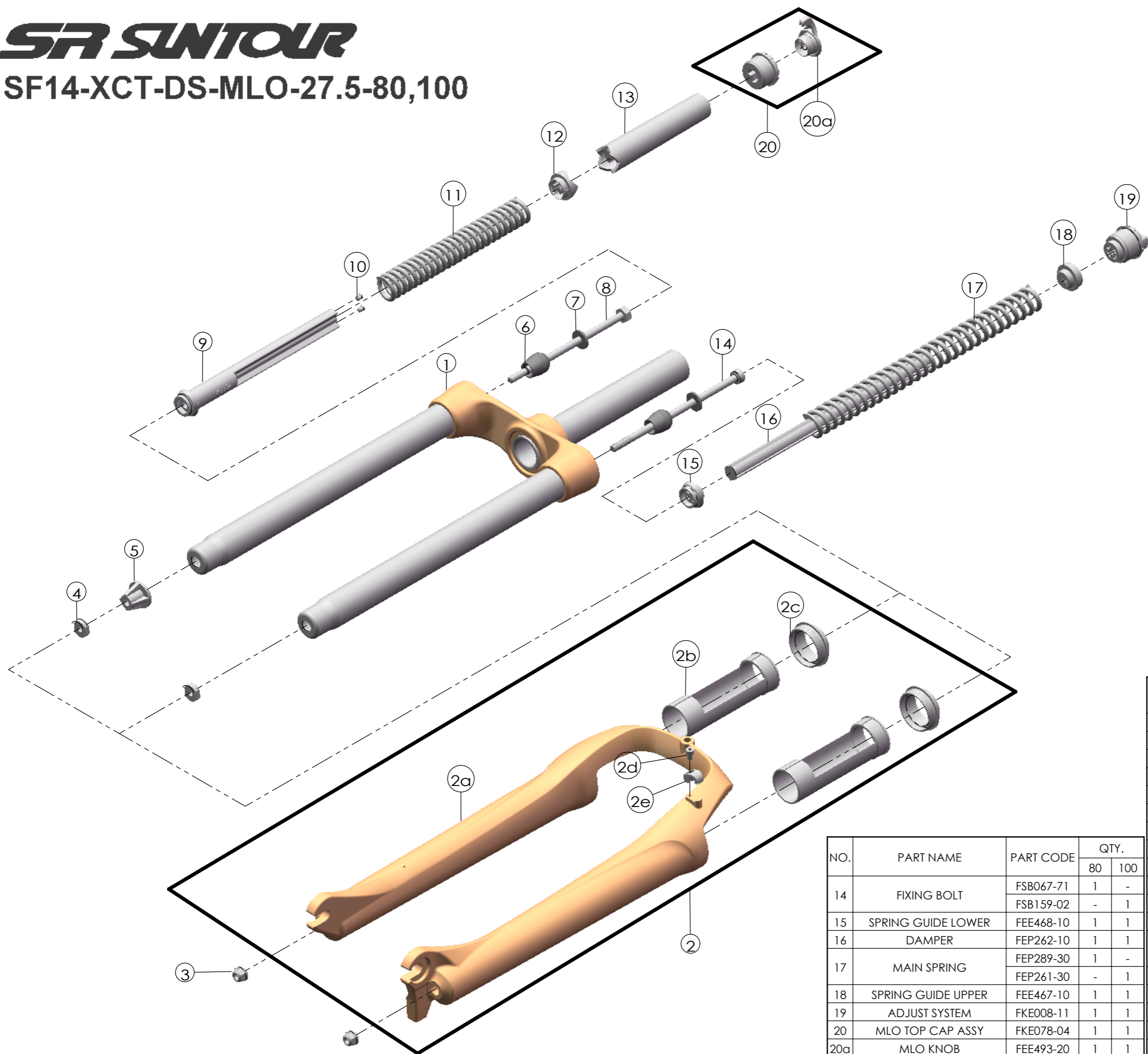


Date	2013.5.21	Version	1
Amended			



NO.	PART NAME	PART CODE	QTY.	
			80	100
1	UPPER ASSY	FKZ041-03	1	1
2	BOTTOM CASE ASSY	FKZ042-10	1	1
2a	BOTTOM CASE	FPB361	1	1
2b	SLIDER SLEEVE	FEE942	2	2
2c	DUST SEAL	FAA125-40	2	2
2d	BOLT	FSB153	1	1
2e	BRACK HOSE GUIDE	FEE797	1	1
3	FIXING NUT	FSN023	2	2
4	NUT PLATE	FSN025	2	2
5	BOTTOM STOPPER	FEG174	1	1
6	REBOUND RUBBER	FEP086-10	2	2
7	WASHER	FSW003	2	1
8	FIXING BOLT	FSB109-64	1	-
		FSB109-62	-	1
9	LOWER STOPPER	FEE762	1	1
10	BOTTOM DAMPER	FEP263	2	2
11	SUB SPRING	FEP260-10	1	1
12	LOWER INDEX	FEE473-10	1	1
13	UPPER STOPPER	FEE463-10	1	1

NO.	PART NAME	PART CODE	QTY.	
			80	100
14	FIXING BOLT	FSB067-71	1	-
		FSB159-02	-	1
15	SPRING GUIDE LOWER	FEE468-10	1	1
16	DAMPER	FEP262-10	1	1
17	MAIN SPRING	FEP289-30	1	-
		FEP261-30	-	1
18	SPRING GUIDE UPPER	FEE467-10	1	1
19	ADJUST SYSTEM	FKE008-11	1	1
20	MLO TOP CAP ASSY	FKE078-04	1	1
20a	MLO KNOB	FEE493-20	1	1