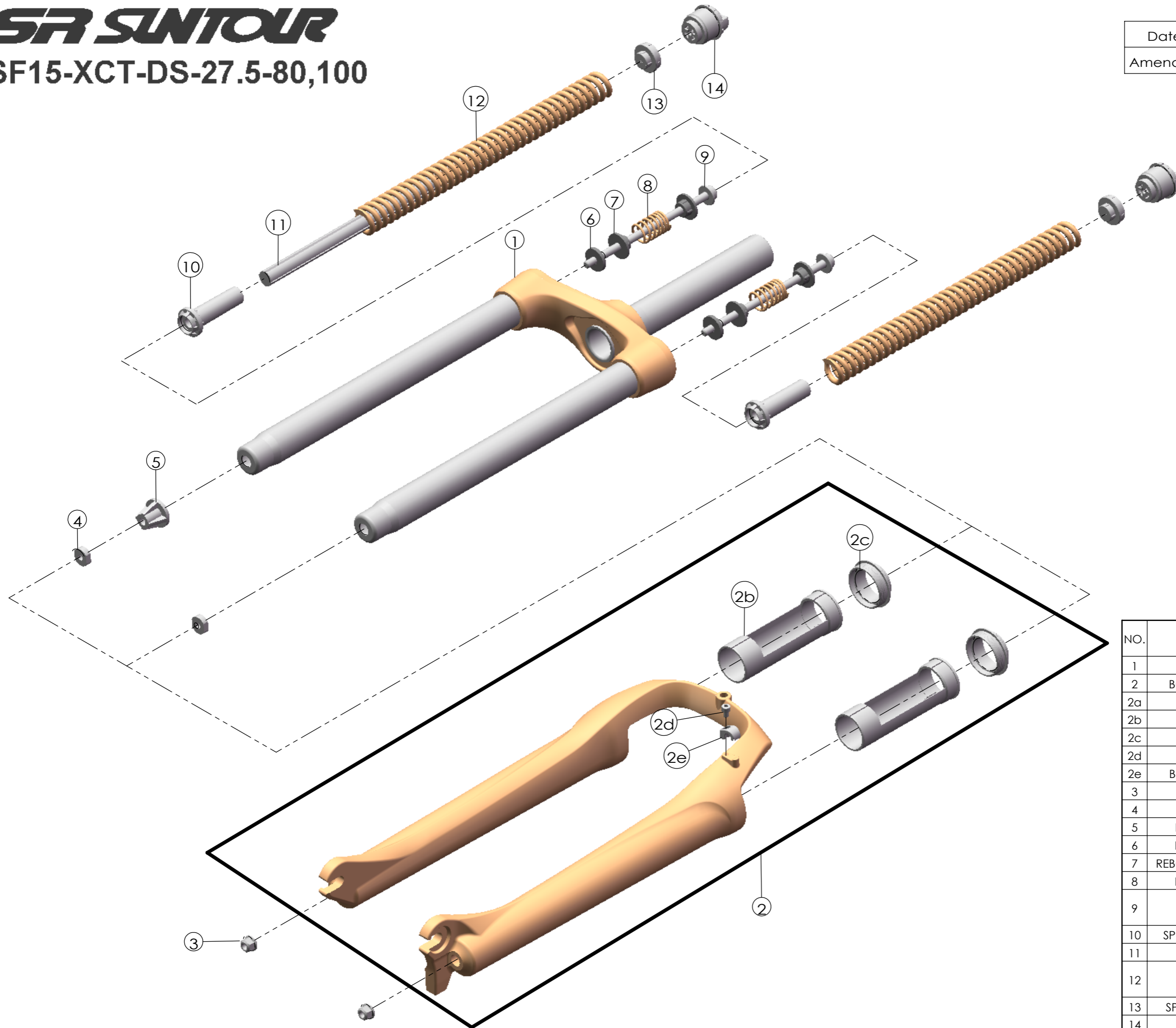


SUNTOUR

SF15-XCT-DS-27.5-80,100

Date	2014.1.17	Version	1
Amended			



NO.	PART NAME	PART CODE	QTY.	
			80	100
1	UPPER ASSY	FKZ055-01	1	1
2	BOTTOM CASE ASSY	FKZ057-10	1	1
2a	BOTTOM CASE	FPB361	1	1
2b	SLIDER SLEEVE	FEE942	2	2
2c	DUST SEAL	FAA125-40	2	2
2d	BOLT	FSB153	1	1
2e	BRACK HOSE GUIDE	FEG166	1	1
3	FIXING NUT	FSN023	2	2
4	NUT PLATE	FSN025	2	2
5	BOTTOM STOPPER	FEG174	1	1
6	REBOUND RUBBER	FEP701	2	2
7	REBOUND SPRING GUIDE	FEG257	4	4
8	REBOUND SPRING	FEP058-20	2	2
9	FIXING BOLT	FSB155-00	2	-
		FSB159-04	-	2
10	SPRING GUIDE LOWER	FEE502-30	2	2
11	DAMPER	FEP262-20	1	1
12	MAIN SPRING	FEP705	2	-
		FEP704	-	2
13	SPRING GUIDE UPPER	FEE389-40	2	2
14	ADJUSTER ASSY	FKE008-11	2	2