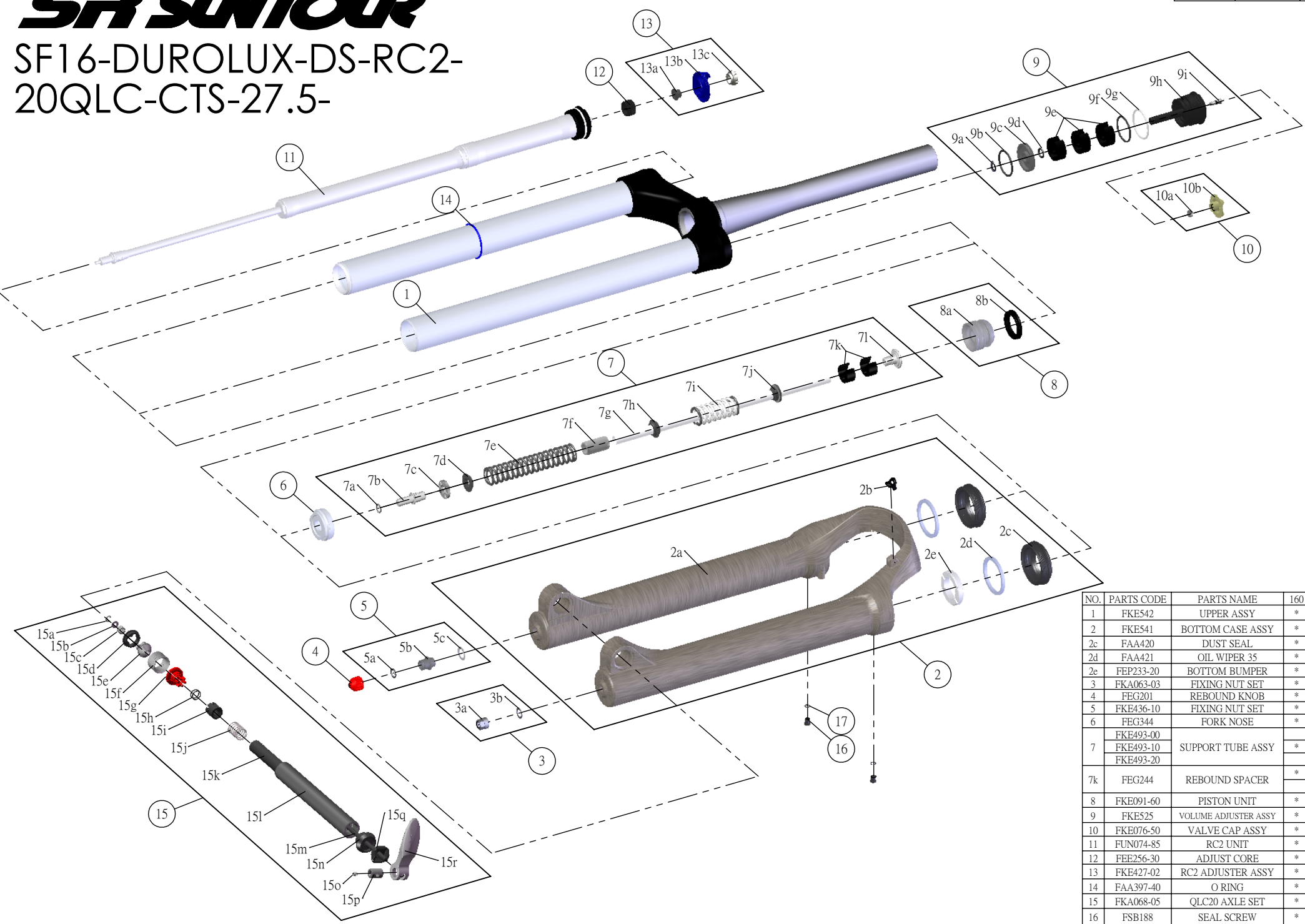


SR SUNTOUR

SF16-DUROLUX-DS-RC2-
20QLC-CTS-27.5-

Date	2015.03.04	Version	1
Amended			



NO.	PARTS CODE	PARTS NAME	160	170	180	QT
1	FKE542	UPPER ASSY	*	*	*	1
2	FKE541	BOTTOM CASE ASSY	*	*	*	1
2c	FAA420	DUST SEAL	*	*	*	2
2d	FAA421	OIL WIPER 35	*	*	*	2
2e	FEP233-20	BOTTOM BUMPER	*	*	*	1
3	FKA063-03	FIXING NUT SET	*	*	*	1
4	FEG201	REBOUND KNOB	*	*	*	1
5	FKE436-10	FIXING NUT SET	*	*	*	1
6	FEG344	FORK NOSE	*	*	*	1
7	FKE493-00	SUPPORT TUBE ASSY				1
	FKE493-10		*			1
	FKE493-20			*		1
7k	FEG244	REBOUND SPACER	*			2
8	FKE091-60	PISTON UNIT	*	*	*	1
9	FKE525	VOLUME ADJUSTER ASSY	*	*	*	1
10	FKE076-50	VALVE CAP ASSY	*	*	*	1
11	FUN074-85	RC2 UNIT	*	*	*	1
12	FEE256-30	ADJUST CORE	*	*	*	1
13	FKE427-02	RC2 ADJUSTER ASSY	*	*	*	1
14	FAA397-40	O RING	*	*	*	1
15	FKA068-05	QLC20 AXLE SET	*	*	*	1
16	FSB188	SEAL SCREW	*	*	*	2
17	FAA270	O RING	*	*	*	2