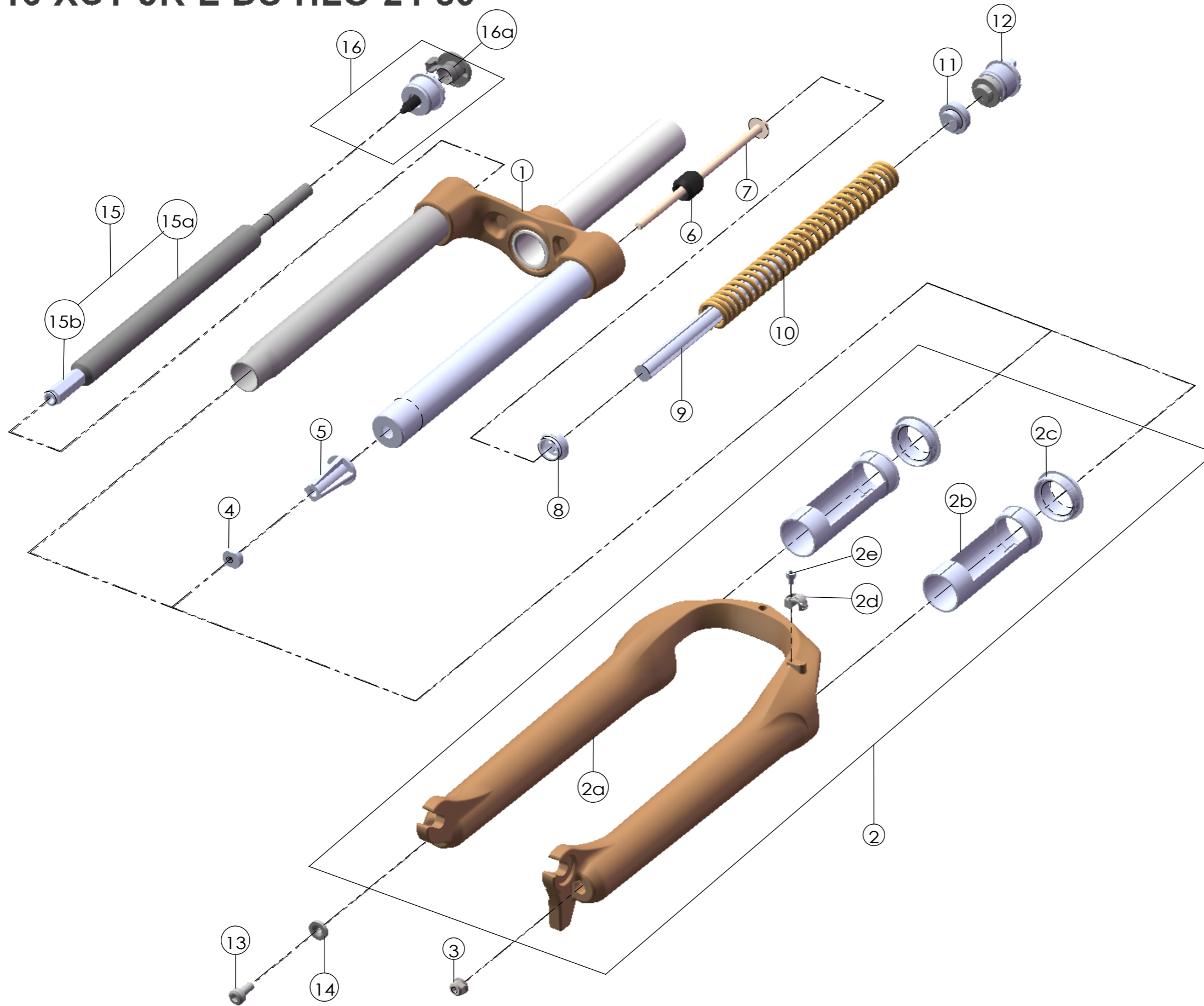


## SF16-XCT-JR-L-DS-HLO-24-80

Date	2015.6.12	Version	2
Amended	2017.7.21		



NO.	PART NAME	PART CODE	QTY.
1	UPPER ASSY	FKZ082-03	1
2	BOTTOM CASE ASSY	FKZ084-10	1
2a	BOTTOM CASE	FPB415	1
2b	SLIDER SLEEVE	FEE942	2
2c	DUST SEAL	FAA125-40	2
2d	HOSE GUIDE	FEG166	1
2e	BOLT	FSB153	1
3	FIXING NUT	FSN023	1
4	NUT PLATE	FSN025	1
5	BOTTOM STOPPER	FEE909-10	1
6	REBOUND RUBBER	FEP086-10	2
7	FIXING BOLT	FSB155-00	2
8	SPRING GUIDE UPPER	FEE468-10	1
9	DAMPER	FEP262-80	1
10	MAIN SPRING	FEP485	1
11	SPRING GUIDE LOWER	FEE467-10	1
12	ADJUSTER ASSY	FKE008-11	1
13	FIXING BOLT	FSB070	1
14	WASHER	FSW025	1
15	DAMPER UNIT	FUN050-06	1
15a	DAMPER BODY	FUN050-00	1
15b	SUPPORT TUBE	FEE314-15	1
16	LO ADJUST SYSTEM	FKE028-18	1
16a	LO KNOB	FEG426	1