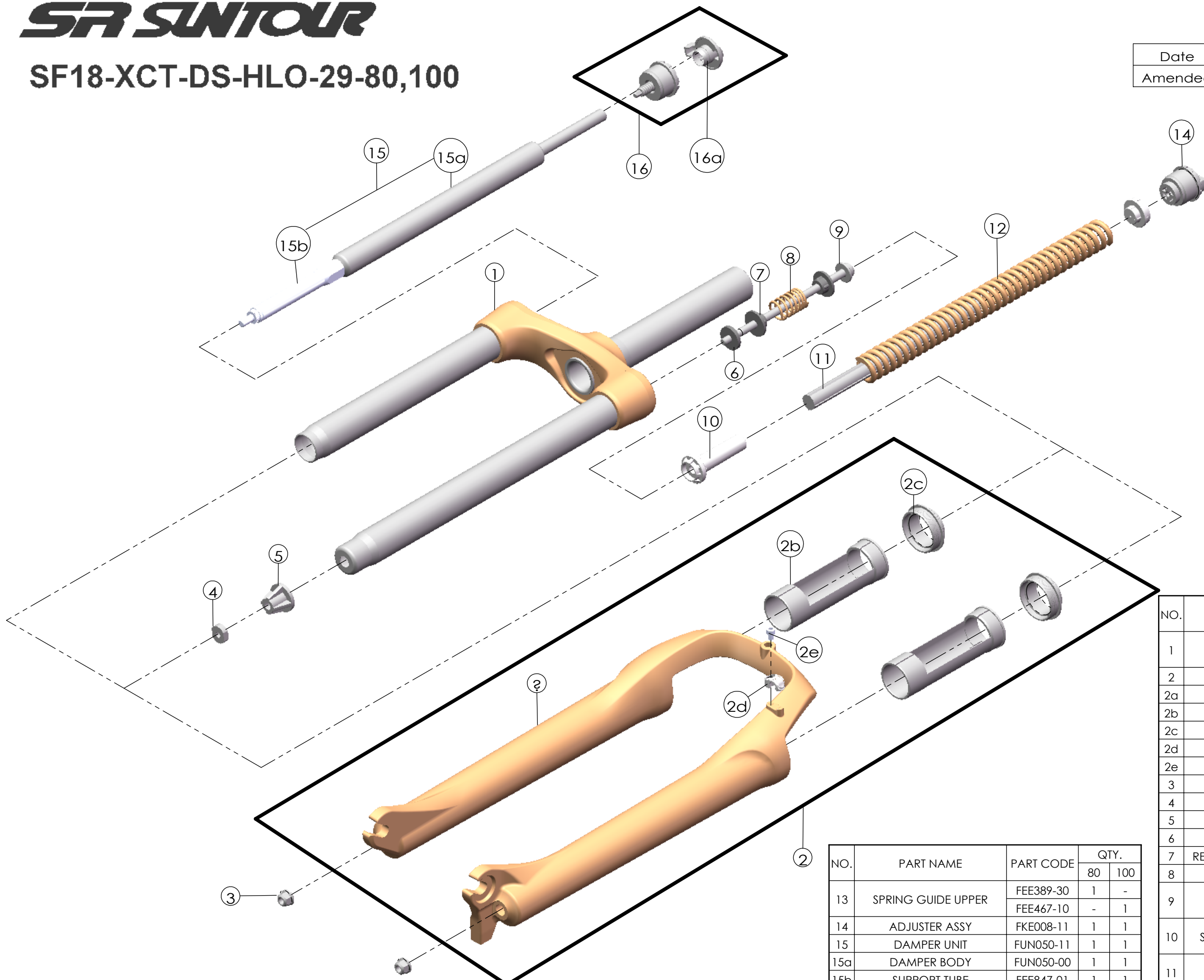


| | | | |
|---------|-----------|---------|---|
| Date | 2021.4.14 | Version | 1 |
| Amended | | | |



| NO. | PART NAME | PART CODE | QTY. | |
|-----|----------------------|-----------|------|-----|
| | | | 80 | 100 |
| 1 | UPPER ASSY | FKZ055-03 | 1 | - |
| | | FKZ055-04 | - | 1 |
| 2 | BOTTOM CASE ASSY | FKZ144-10 | 1 | 1 |
| 2a | BOTTOM CASE | FPB451 | 1 | 1 |
| 2b | SLIDER SLEEVE | FEE942 | 2 | 2 |
| 2c | DUST SEAL | FAA125-40 | 2 | 2 |
| 2d | HOSE GUIDE | FEG166 | 1 | 1 |
| 2e | BOLT | FSB153 | 1 | 1 |
| 3 | FIXING NUT | FSN023 | 2 | 2 |
| 4 | NUT PLATE | FSN025 | 1 | 1 |
| 5 | BOTTOM STOPPER | FEE909-30 | 1 | 1 |
| 6 | REBOUND RUBBER | FEP701 | 1 | 1 |
| 7 | REBOUND SPRING GUIDE | FEG257 | 2 | 2 |
| 8 | REBOUND SPRING | FEP189-20 | 1 | 1 |
| 9 | FIXING BOLT | FSB157-00 | 1 | - |
| | | FSB159-00 | - | 1 |
| 10 | SPRING GUIDE LOWER | FEE502-20 | 1 | - |
| | | FEE468-10 | - | 1 |
| 11 | DAMPER | FEP131-02 | 1 | - |
| | | FEP262-96 | - | 1 |
| 12 | MAIN SPRING | FEP703 | 1 | - |
| | | FEP702 | - | 1 |

| NO. | PART NAME | PART CODE | QTY. | |
|-----|--------------------|-----------|------|-----|
| | | | 80 | 100 |
| 13 | SPRING GUIDE UPPER | FEE389-30 | 1 | - |
| | | FEE467-10 | - | 1 |
| 14 | ADJUSTER ASSY | FKE008-11 | 1 | 1 |
| 15 | DAMPER UNIT | FUN050-11 | 1 | 1 |
| 15a | DAMPER BODY | FUN050-00 | 1 | 1 |
| 15b | SUPPORT TUBE | FEE847-01 | 1 | 1 |
| 16 | LO ADJUST SYSTEM | FKE028-18 | 1 | 1 |
| 16a | LO KNOB | FEG426 | 1 | 1 |