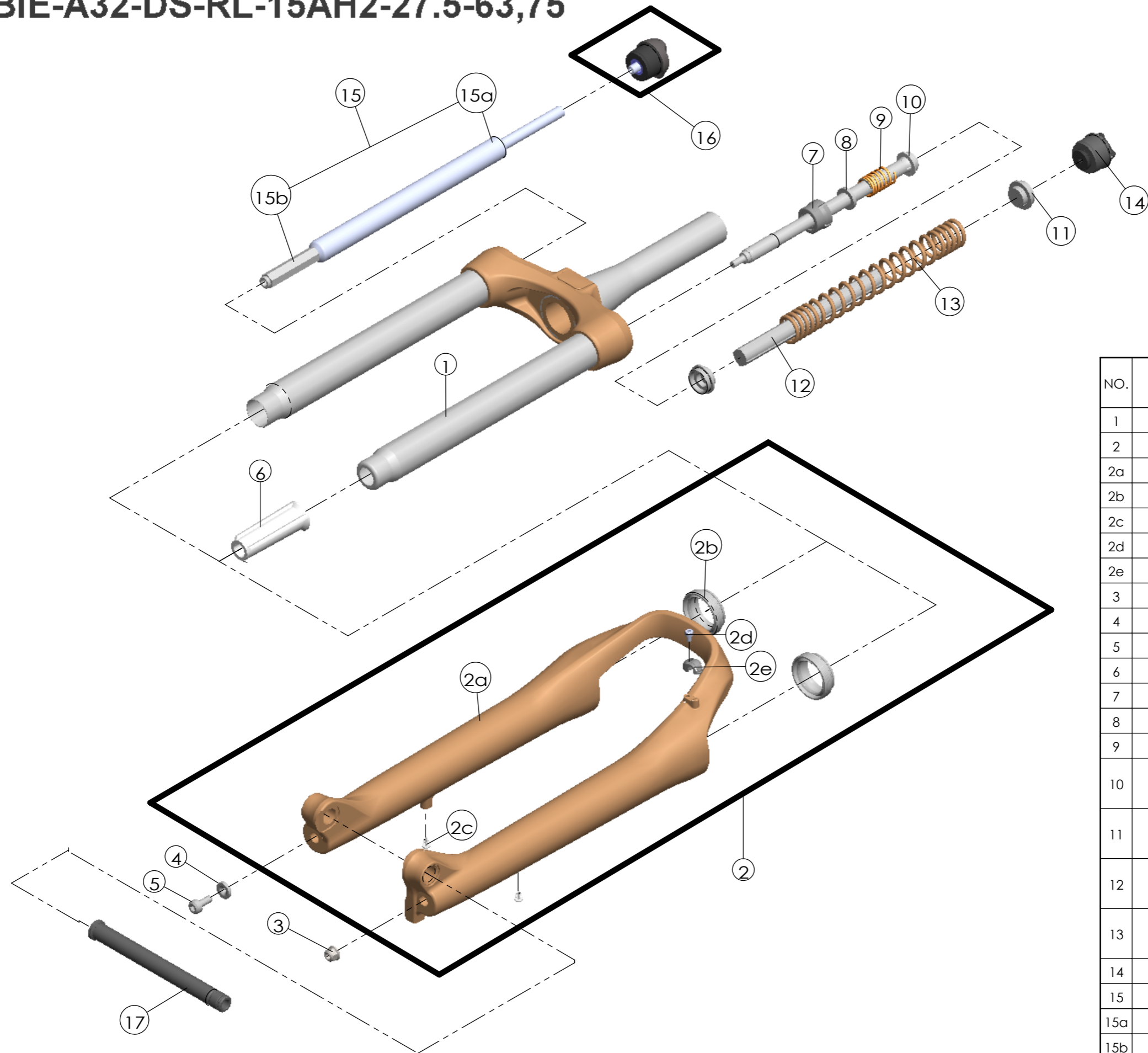


| | | | |
|---------|------------|---------|---|
| Date | 2019.04.04 | Version | 1 |
| Amended | | | |



| NO. | PART NAME | PART CODE | QTY. | |
|-----|------------------|------------|------|----|
| | | | 63 | 75 |
| 1 | UPPER ASSY | FKZ128-03 | 1 | 1 |
| 2 | BOTTOM CASE ASSY | FKZ129-20 | 1 | 1 |
| 2a | BOTTOM CASE | FPB475-10 | 1 | 1 |
| 2b | DUST SEAL | FAA169-20 | 2 | 2 |
| 2c | MOUNT CAP | FAA199 | 2 | 2 |
| 2d | BOLT | FSB153 | 1 | 1 |
| 2e | HOSE GUIDE | FEG166 | 1 | 1 |
| 3 | FIXING NUT | FSN023 | 1 | 1 |
| 4 | WASHER | FSW025 | 1 | 1 |
| 5 | FIXING BOLT | FSB070 | 1 | 1 |
| 6 | BOTTOM STOPPER | FEE806-80 | 1 | 1 |
| 7 | FORK NOSE | FEE805 | 1 | 1 |
| 8 | REBOUND RUBBER | FEP053 | 1 | 1 |
| 9 | REBOUND SPRING | FEP189-20 | 1 | 1 |
| 10 | SUPPORT TUBE | FEE800 | 1 | - |
| | | FEG175 | - | 1 |
| 11 | SPRING GUIDE | FEE434-10 | 2 | - |
| | | FEE262-30 | - | 2 |
| 12 | MAIN SPRING | FEP636 | 1 | - |
| | | FEP755 | - | 1 |
| 13 | DAMPER | FEP320-10 | 1 | - |
| | | FEP661-10 | - | 1 |
| 14 | ADJUST SYSTEM | FKE009-21 | 1 | 1 |
| 15 | DAMPER UNIT | FUN015-09 | 1 | 1 |
| 15a | DAMPER BODY | FUN015-00 | 1 | 1 |
| 15b | SUPPORT TUBE | FEE314-15 | 1 | 1 |
| 16 | LO ADJUST SYSTEM | FKE0310-12 | 1 | 1 |
| 17 | 15AH2 AXLE SET | FKA117-02 | 1 | 1 |