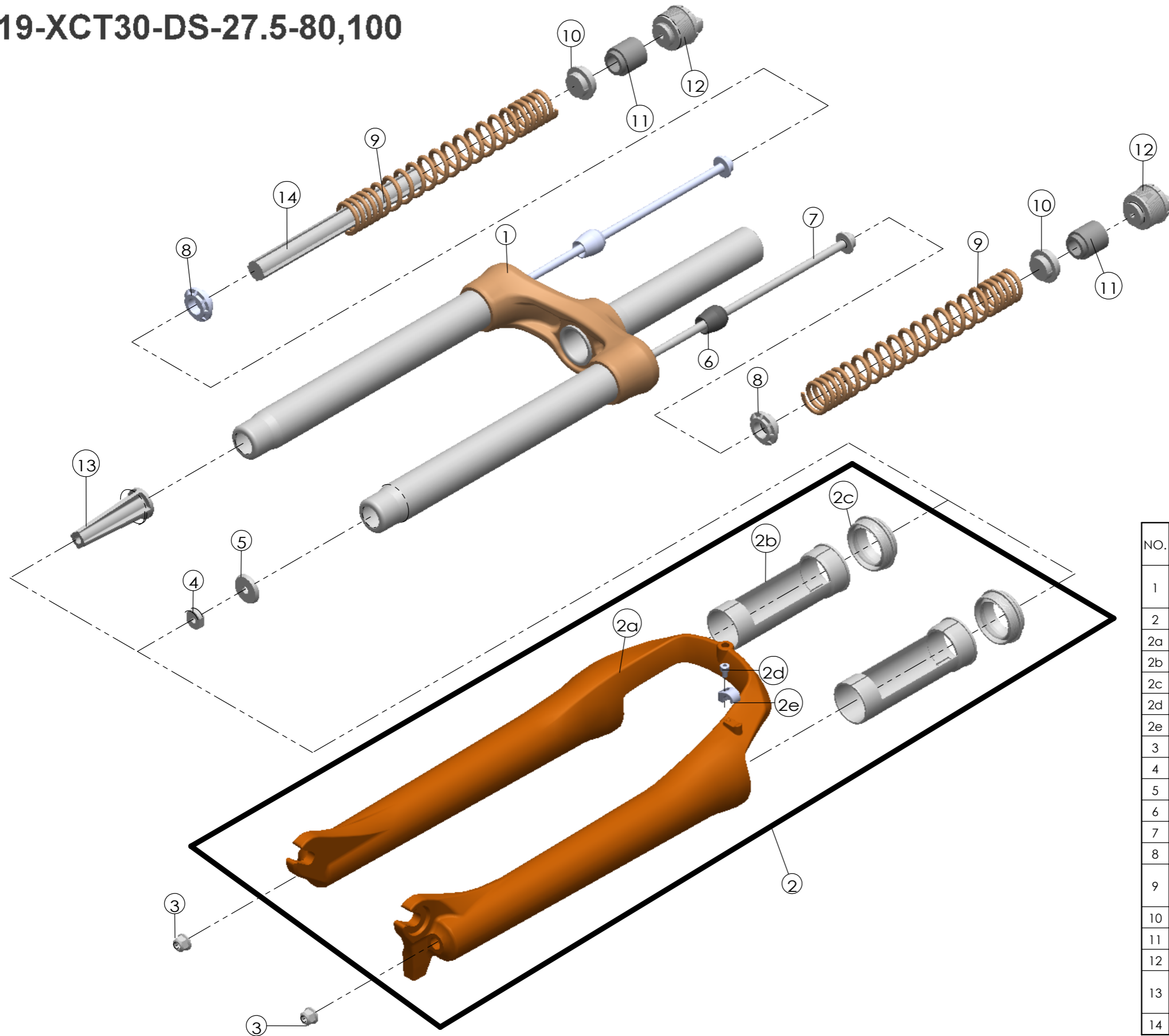


Date	2019.3.19	Version	1
Amended			



NO.	PART NAME	PART CODE	QTY.	
			80	100
1	UPPER ASSY	FKZ125-02	1	-
		FKZ125-01	-	1
2	BOTTOM CASE ASSY	FKZ126-10	1	1
2a	BOTTOM CASE	FPB478	1	1
2b	SLIDER SLEEVE	FEE785	2	2
2c	DUST SEAL	FAA070-10	2	2
2d	BOLT	FSB153	1	1
2e	HOSE GUIDE	FEG166	1	1
3	FIXING NUT	FSN023	2	2
4	NUT PLATE	FSN025	1	1
5	BOTTOM STOPPER	FEE465	1	1
6	REBOUND RUBBER	FEP086-10	2	2
7	FIXING BOLT	FSB157-00	2	2
8	SPRING GUIDE	FEG146-00	2	2
9	MAIN SPRING	FEP327-60	2	-
		FEP319-60	-	2
10	SPRING GUIDE	FEE434-10	2	2
11	SPRING GUIDE	FEE992	2	2
12	ADJUST SYSTEM	FKE009-11	2	2
13	SUPPORT TUBE	FEE909-40	1	-
		FEE909-30	-	1
14	DAMPER	FEP320-20	1	1