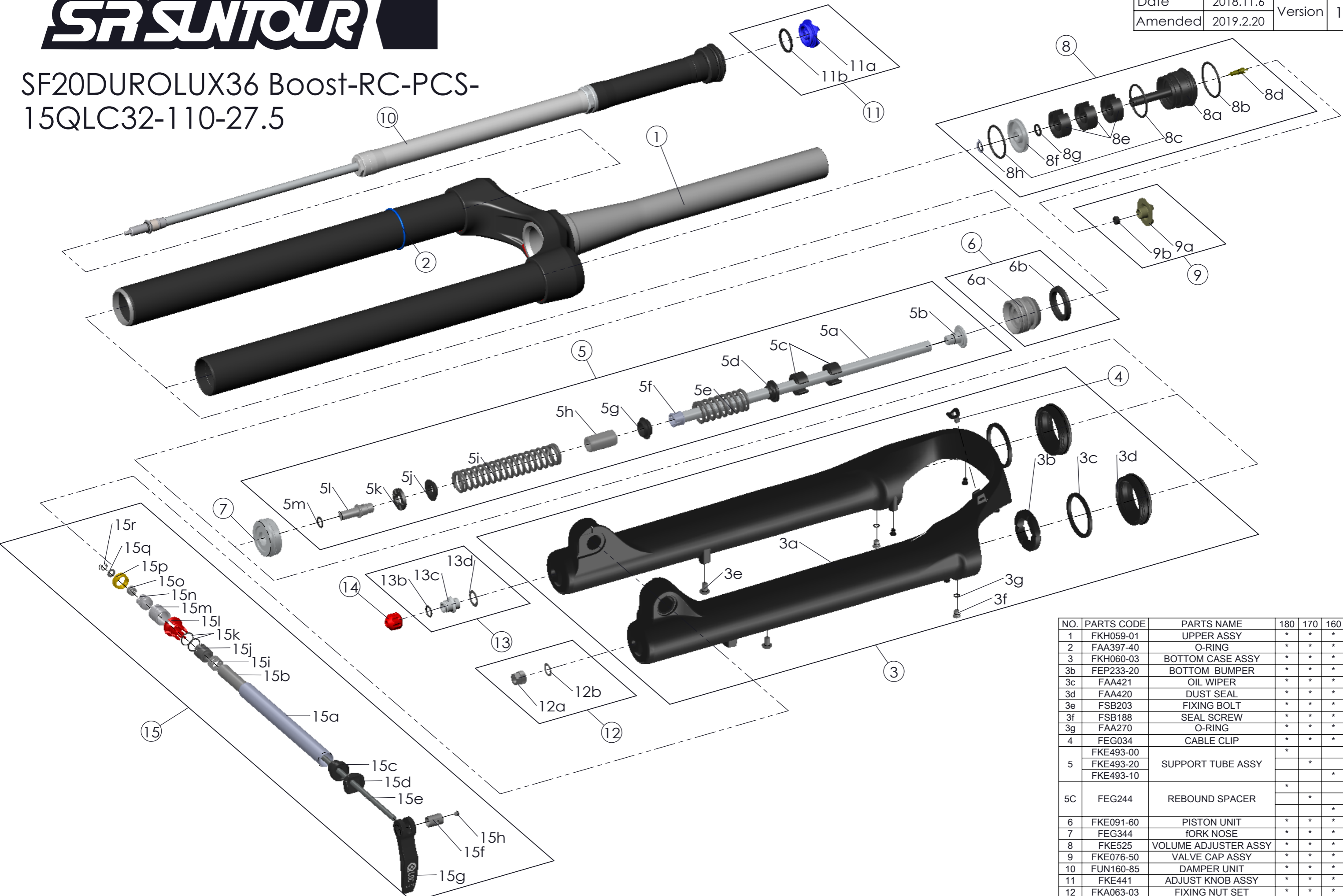




SF20DUROLUX36 Boost-RC-PCS-
15QLC32-110-27.5

Date	2018.11.6	Version	1
Amended	2019.2.20		



NO.	PARTS CODE	PARTS NAME	180	170	160	QT
1	FKH059-01	UPPER ASSY	*	*	*	1
2	FAA397-40	O-RING	*	*	*	1
3	FKH060-03	BOTTOM CASE ASSY	*	*	*	1
3b	FEP233-20	BOTTOM BUMPER	*	*	*	1
3c	FAA421	OIL WIPER	*	*	*	2
3d	FAA420	DUST SEAL	*	*	*	2
3e	FSB203	FIXING BOLT	*	*	*	2
3f	FSB188	SEAL SCREW	*	*	*	2
3g	FAA270	O-RING	*	*	*	2
4	FEG034	CABLE CLIP	*	*	*	1
	FKE493-00		*			1
5	FKE493-20	SUPPORT TUBE ASSY		*		1
	FKE493-10				*	1
			*			0
5C	FEG244	REBOUND SPACER		*		1
					*	2
6	FKE091-60	PISTON UNIT	*	*	*	1
7	FEG344	FORK NOSE	*	*	*	1
8	FKE525	VOLUME ADJUSTER ASSY	*	*	*	1
9	FKE076-50	VALVE CAP ASSY	*	*	*	1
10	FUN160-85	DAMPER UNIT	*	*	*	1
11	FKE441	ADJUST KNOB ASSY	*	*	*	1
12	FKA063-03	FIXING NUT SET	*	*	*	1
13	FKE436-10	FIXING NUT SET	*	*	*	1
14	FEG201	ADJUST KNOB	*	*	*	1
15	FKA100-25	15QLC32 AXLE SET	*	*	*	1