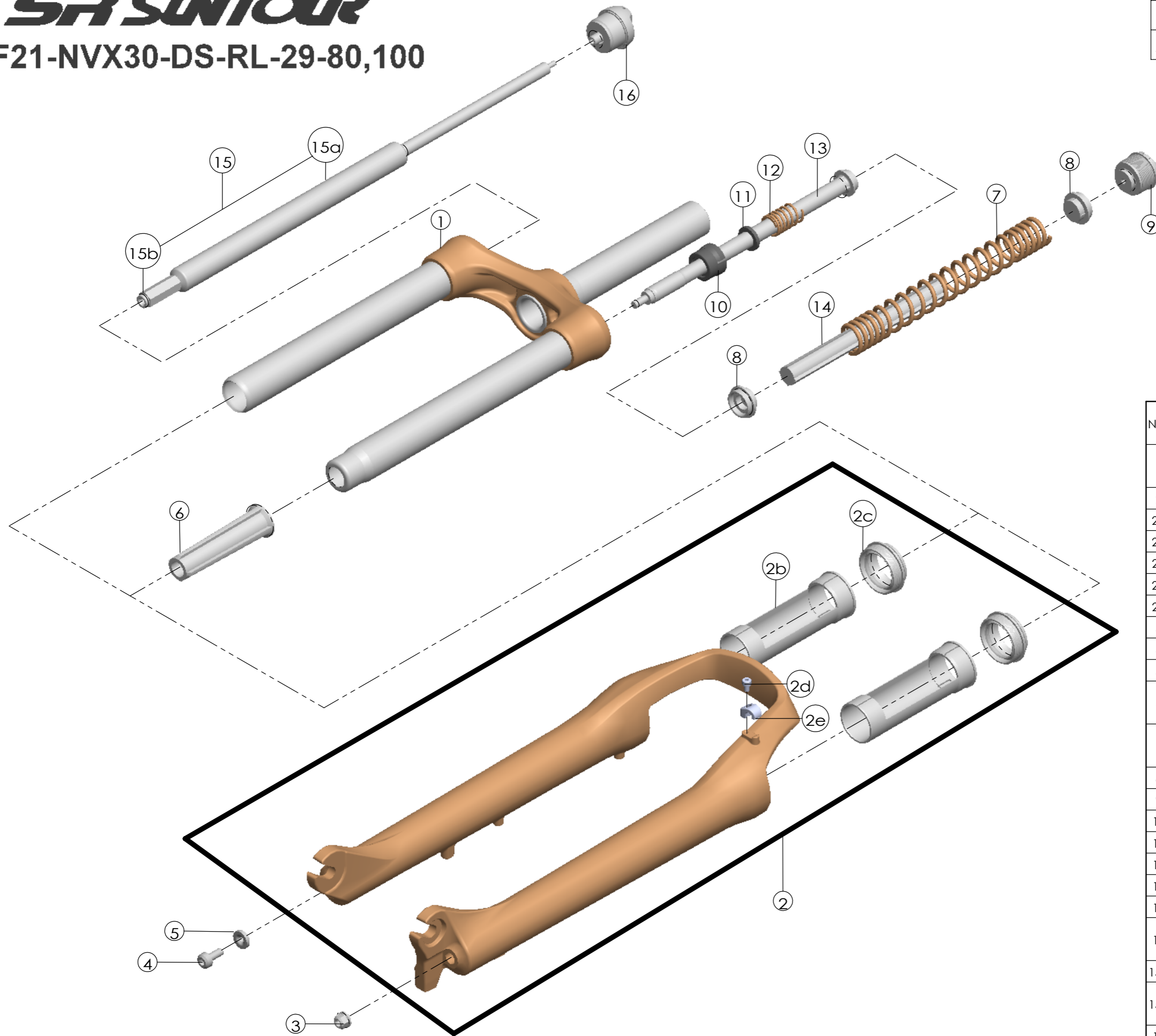


|         |            |         |   |
|---------|------------|---------|---|
| Date    | 2020.11.26 | Version | 1 |
| Amended |            |         |   |



| NO. | PART NAME        | PART CODE | QTY. |     |
|-----|------------------|-----------|------|-----|
|     |                  |           | 80   | 100 |
| 1   | UPPER ASSY       | FKZ120-02 | 1    | -   |
|     |                  | FKZ120-03 | -    | 1   |
| 2   | BOTTOM CASE ASSY | FKZ145-10 | 1    | 1   |
| 2a  | BOTTOM CASE      | FPB450    | 1    | 1   |
| 2b  | SLIDER SLEEVE    | FEE785    | 2    | 2   |
| 2c  | DUST SEAL        | FAA070-10 | 2    | 2   |
| 2d  | BOLT             | FSB153    | 1    | 1   |
| 2e  | HOSE GUIDE       | FEG166    | 1    | 1   |
| 3   | FIXING NUT       | FSN023    | 1    | 1   |
| 4   | FIXING BOLT      | FSB070    | 1    | 1   |
| 5   | WASHER           | FSW025    | 1    | 1   |
| 6   | SUPPORT TUBE     | FEE959-10 | 1    | -   |
|     |                  | FEE959-00 | -    | 1   |
| 7   | MAIN SPRING      | FEP439    | 1    | -   |
|     |                  | FEP438    | -    | 1   |
| 8   | SPRING GUIDE     | FEE434-10 | 2    | 2   |
| 9   | ADJUST SYSTEM    | FKE009-11 | 1    | 1   |
| 10  | FORK NOSE        | FEE805    | 1    | 1   |
| 11  | REBOUND RUBBER   | FEP053    | 1    | 1   |
| 12  | REBOUND SPRING   | FEP189-20 | 1    | 1   |
| 13  | SUPPORT TUBE     | FEE960    | 1    | 1   |
| 14  | DAMPER           | FEP320-20 | 1    | 1   |
| 15  | DAMPER UNIT      | FUN015-09 | 1    | -   |
|     |                  | FUN015-08 | -    | 1   |
| 15a | DAMPER BODY      | FUN015-00 | 1    | 1   |
| 15b | SUPPORT TUBE     | FEE314-15 | 1    | -   |
|     |                  | FEE314-14 | -    | 1   |
| 16  | RL ADJUST SYSTEM | FKE310-10 | 1    | 1   |