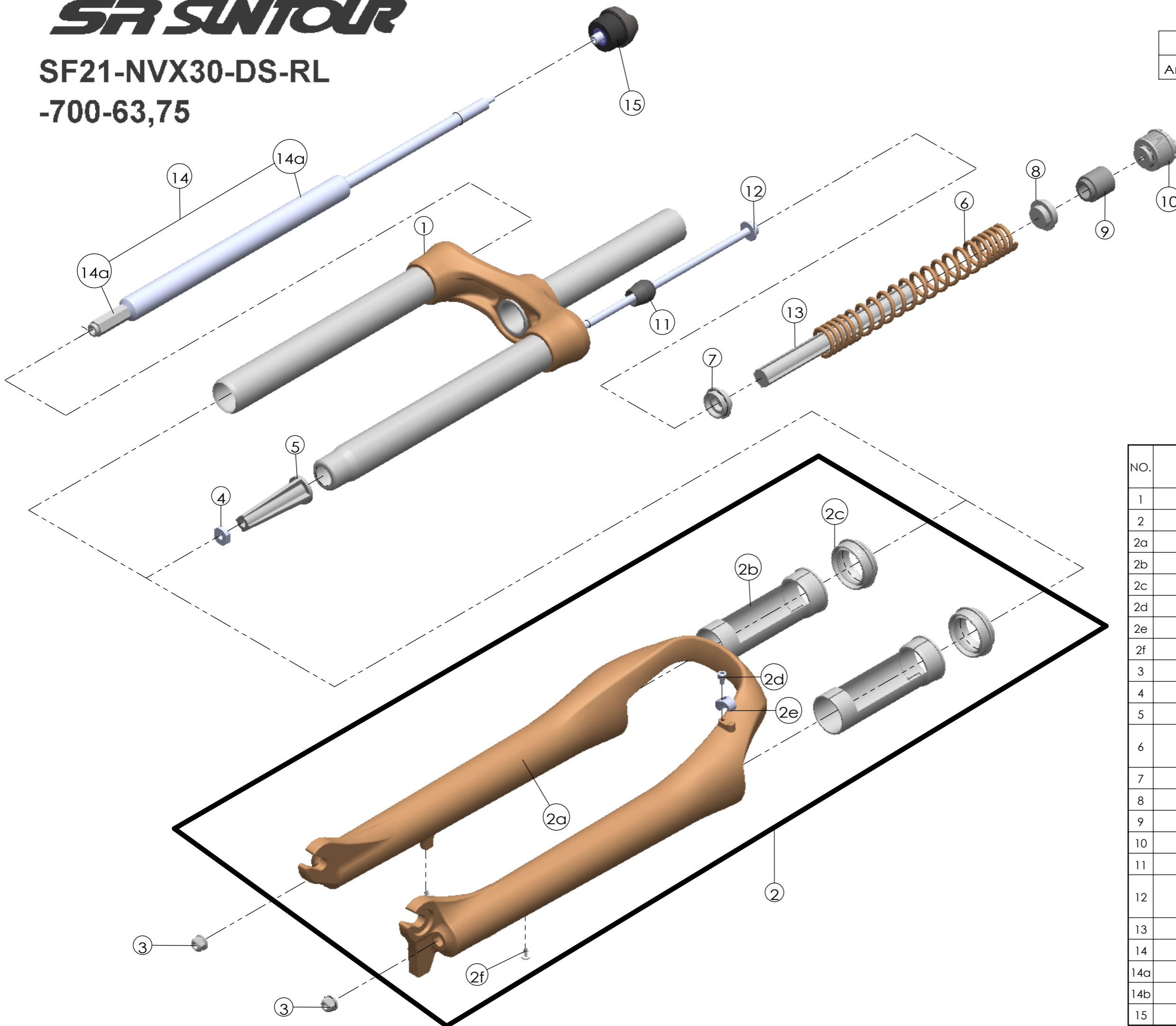


# SF SUNTOUR

## SF21-NVX30-DS-RL -700-63,75

Date	2020.12.05	Version	1
Amended			



NO.	PART NAME	PART CODE	QTY.	
			63	75
1	UPPER ASSY	FKZ125-04	1	1
2	BOTTOM CASE ASSY	FKZ134-10	1	1
2a	BOTTOM CASE	FPB470	1	1
2b	SLIDER SLEEVE	FEE785	2	2
2c	DUST SEAL	FAA070-10	2	2
2d	BOLT	FSB153	1	1
2e	HOSE GUIDE	FEG166	1	1
2f	MOUNT CAP	FAA199	2	2
3	FIXING NUT	FSN023	2	2
4	NUT PLATE	FSN025	1	1
5	SUPPORT TUBE	FEE853-00	1	1
6	MAIN SPRING	FEP717	1	-
		FEP817	-	1
7	SPRING GUIDE	FEE593-10	1	1
8	SPRING GUIDE	FEE592-10	1	1
9	SPRING GUIDE	FEE992	1	-
10	ADJUST SYSTEM	FKE009-11	1	1
11	REBOUND RUBBER	FEP086-10	1	1
12	FIXING GUIDE	FSB157-00	1	-
		FSB159-06	-	1
13	DAMPER	FEP322-20	1	-
14	DAMPER UNIT	FUN015-09	1	1
14a	DAMPER BODY	FUN015-00	1	1
14b	SUPPORT TUBE	FEE314-15	1	1
15	LO ADJUST SYSTEM	FKE0310-10	1	1