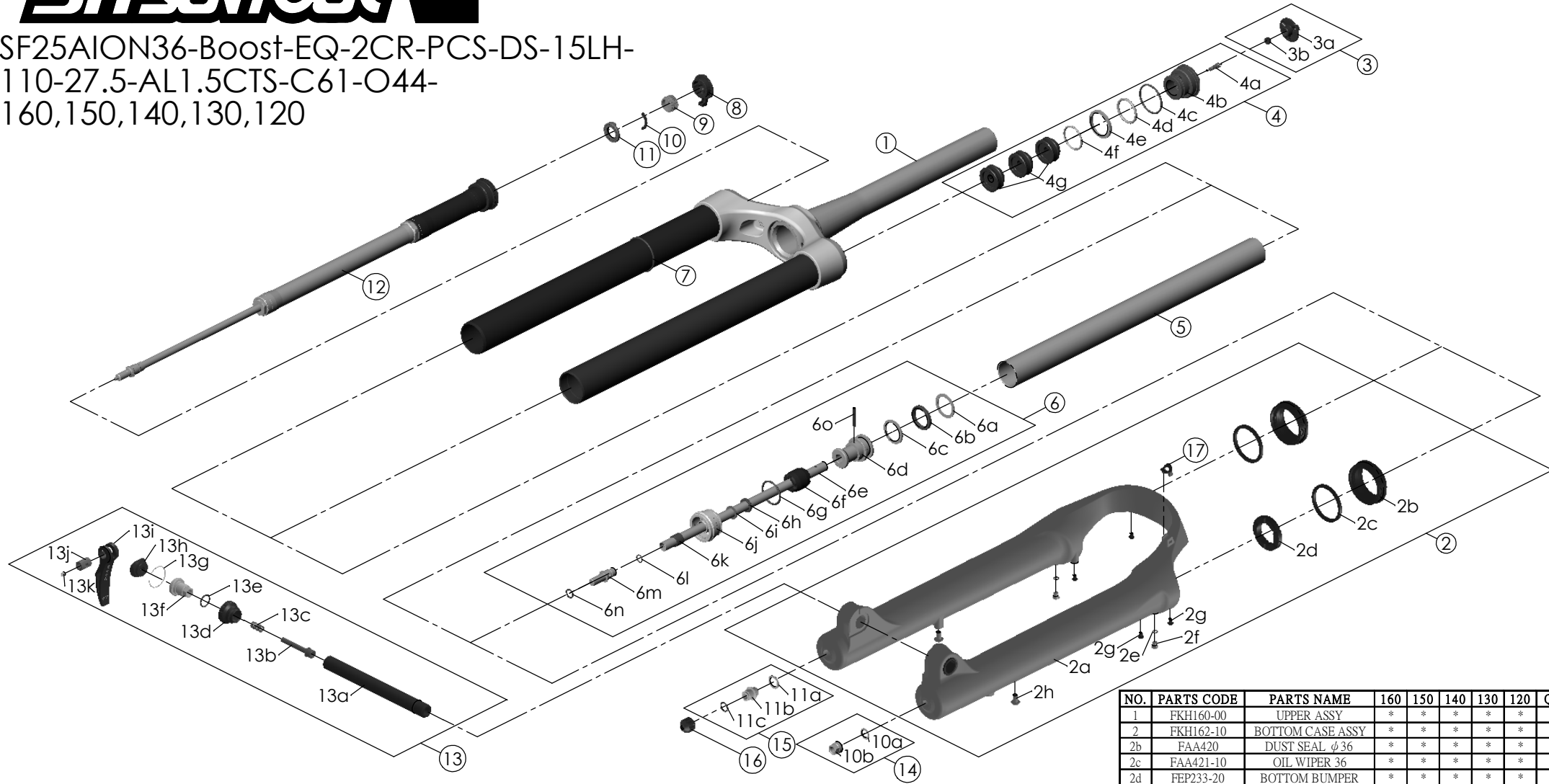




SF25AION36-Boost-EQ-2CR-PCS-DS-15LH-  
110-27.5-AL1.5CTS-C61-O44-  
160,150,140,130,120

|         |            |         |   |
|---------|------------|---------|---|
| Date    | 2023.08.20 | Version | 1 |
| Amended | 2024.03.05 |         |   |



| NO. | PARTS CODE | PARTS NAME        | 160 | 150 | 140 | 130 | 120 | QT |
|-----|------------|-------------------|-----|-----|-----|-----|-----|----|
| 11  | FEE257     | CLICK HOLDER      | *   | *   | *   | *   | *   | 1  |
| 12  | FUN171-78  | 2CR-PCS UNIT      | *   | *   | *   | *   | *   | 1  |
| 13  | FKA116-02  | 15LH-110 AXLE SET | *   | *   | *   | *   | *   | 1  |
| 14  | FKA063-03  | FIXING NUT SET    | *   | *   | *   | *   | *   | 1  |
| 15  | FKE436-10  | FIXING NUT SET    | *   | *   | *   | *   | *   | 1  |
| 16  | FEG201     | REBOUND KNOB      | *   | *   | *   | *   | *   | 1  |
| 17  | FEG034     | CABLE CLIP        | *   | *   | *   | *   | *   | 1  |

| NO. | PARTS CODE | PARTS NAME        | 160 | 150 | 140 | 130 | 120 | QT |
|-----|------------|-------------------|-----|-----|-----|-----|-----|----|
| 5   | FPE099-01  | Air Cylinder      | *   | *   | *   | *   | *   | 1  |
| 6   | FKH154-00  | SUPPORT TUBE ASSY | *   |     |     |     |     | 1  |
|     | FKH154-01  |                   |     | *   |     |     |     |    |
|     | FKH154-02  |                   |     |     | *   |     |     |    |
|     | FKH154-03  |                   |     |     |     | *   |     |    |
|     | FKH154-04  |                   |     |     |     | *   |     |    |
| 7   | FAA397-40  | O RING            | *   | *   | *   | *   | *   | 1  |
| 8   | FKE590-01  | 2CR KNOB ASSY     | *   | *   | *   | *   | *   | 1  |
| 9   | FEE256-10  | ADJUST CORE       | *   | *   | *   | *   | *   | 1  |
| 10  | FEE258     | ADJUST CLICK      | *   | *   | *   | *   | *   | 1  |

| NO. | PARTS CODE | PARTS NAME          | 160 | 150 | 140 | 130 | 120 | QT |
|-----|------------|---------------------|-----|-----|-----|-----|-----|----|
| 1   | FKH160-00  | UPPER ASSY          | *   | *   | *   | *   | *   | 1  |
| 2   | FKH162-10  | BOTTOM CASE ASSY    | *   | *   | *   | *   | *   | 1  |
| 2b  | FAA420     | DUST SEAL $\phi$ 36 | *   | *   | *   | *   | *   | 2  |
| 2c  | FAA421-10  | OIL WIPER 36        | *   | *   | *   | *   | *   | 2  |
| 2d  | FEP233-20  | BOTTOM BUMPER       | *   | *   | *   | *   | *   | 1  |
| 2e  | FSB188     | SEAL SCREW          | *   | *   | *   | *   | *   | 2  |
| 2f  | FAA270     | O RING              | *   | *   | *   | *   | *   | 2  |
| 2g  | FAA200-10  | MOUNT CAP           | *   | *   | *   | *   | *   | 4  |
| 2h  | FSB203     | FIXING BOLT         | *   | *   | *   | *   | *   | 2  |
| 3   | FKE595     | VALVE CAP ASSY      | *   | *   | *   | *   | *   | 1  |
| 4   | FKE594     | AIR CAP ASSY        | *   |     |     |     |     | 1  |
|     | FKH154-10  |                     |     | *   |     |     |     |    |
|     | FKE594-20  |                     |     |     | *   |     |     |    |
|     | FKE594-30  |                     |     |     |     | *   |     |    |
|     | FKE594-40  |                     |     |     |     | *   |     |    |
| 4g  | FEG270-10  | VOLUME REDUCER      | *   |     |     |     |     | 3  |
|     |            |                     |     | *   |     |     |     | 4  |
|     |            |                     |     |     | *   |     |     | 5  |
|     |            |                     |     |     |     | *   |     | 6  |
|     |            |                     |     |     | *   |     | 7   |    |