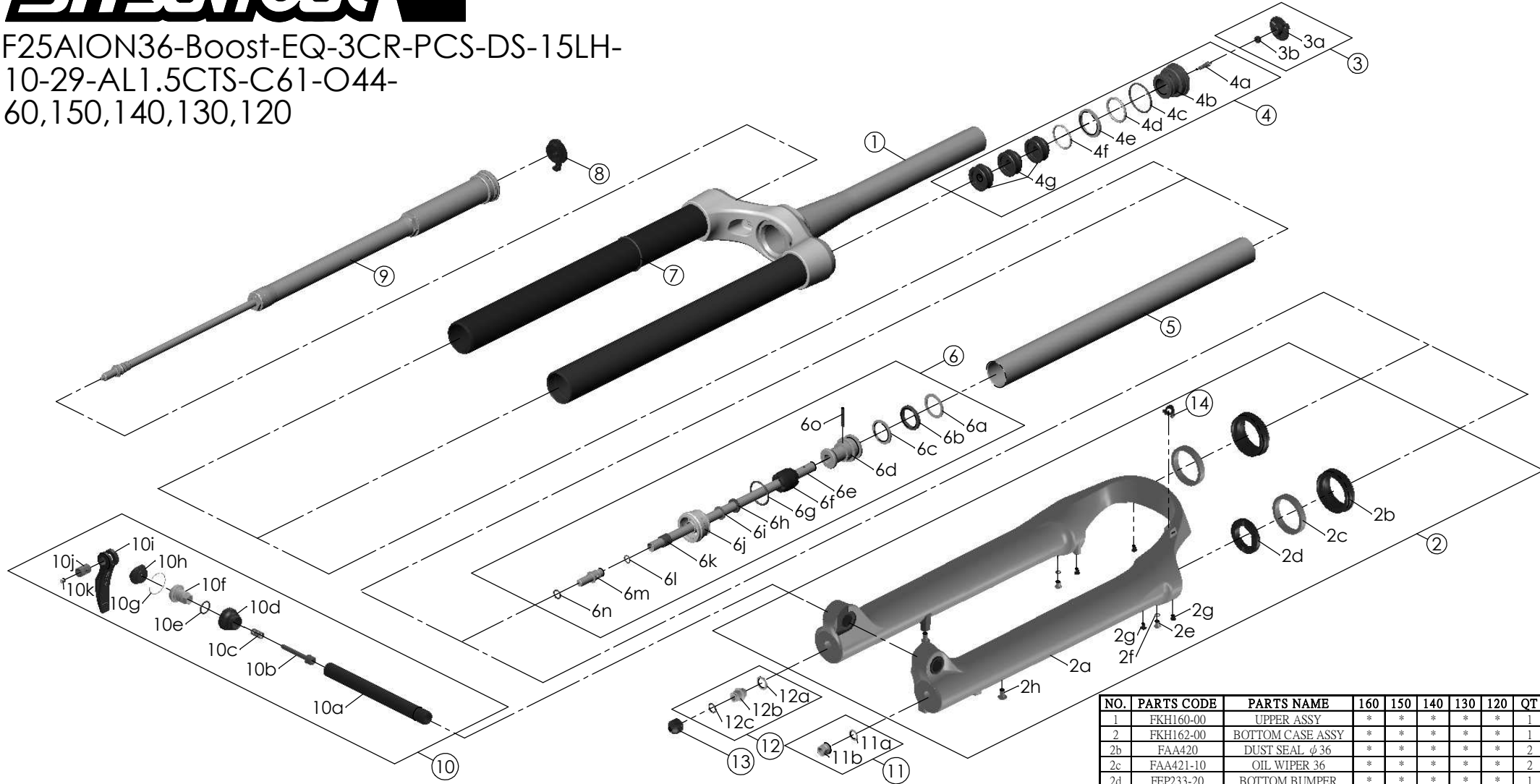




SF25AION36-Boost-EQ-3CR-PCS-DS-15LH-  
110-29-AL1.5CTS-C61-O44-  
160,150,140,130,120

Date	2023.08.20	Version	1
Amended	2024.03.05		



NO.	PARTS CODE	PARTS NAME	160	150	140	130	120	QT
11	FKA063-03	FIXING NUT SET	*	*	*	*	*	1
12	FKE436-10	FIXING NUT SET	*	*	*	*	*	1
13	FEG201	REBOUND KNOB	*	*	*	*	*	1
14	FEG034	CABLE CLIP	*	*	*	*	*	1

NO.	PARTS CODE	PARTS NAME	160	150	140	130	120	QT
5	FPE099-01	Air Cylinder	*	*	*	*	*	1
6	FKH154-00	SUPPORT TUBE ASSY	*	*	*	*	*	1
	FKH154-01		*	*	*	*		
	FKH154-02		*	*	*	*		
	FKH154-03		*	*	*	*		
	FKH154-04		*	*	*	*		
7	FAA397-40	O RING	*	*	*	*	*	1
8	FKE590-00	3CR KNOB ASSY	*	*	*	*	*	1
9	FUN210-78	3CR-PCS UNIT	*	*	*	*	*	1
10	FKA116-02	15LH-110 AXLE SET	*	*	*	*	*	1

NO.	PARTS CODE	PARTS NAME	160	150	140	130	120	QT
1	FKH160-00	UPPER ASSY	*	*	*	*	*	1
2	FKH162-00	BOTTOM CASE ASSY	*	*	*	*	*	1
2b	FAA420	DUST SEAL $\phi$ 36	*	*	*	*	*	2
2c	FAA421-10	OIL WIPER 36	*	*	*	*	*	2
2d	FEP233-20	BOTTOM BUMPER	*	*	*	*	*	1
2e	FSB188	SEAL SCREW	*	*	*	*	*	2
2f	FAA270	O RING	*	*	*	*	*	2
2g	FAA200-10	MOUNT CAP	*	*	*	*	*	4
2h	FSB203	FIXING BOLT	*	*	*	*	*	2
3	FKE595	VALVE CAP ASSY	*	*	*	*	*	1
4	FKE594	AIR CAP ASSY	*	*	*	*	*	1
	FKE594-10		*	*	*	*		
	FKE594-20		*	*	*	*		
	FKE594-30		*	*	*	*		
	FKE594-40		*	*	*	*		
4g	FEG270-10	VOLUME REDUCER	*	*	*	*	*	3
			*	*	*	*	4	
			*	*	*	*	5	
					*	*	6	
					*	*	7	