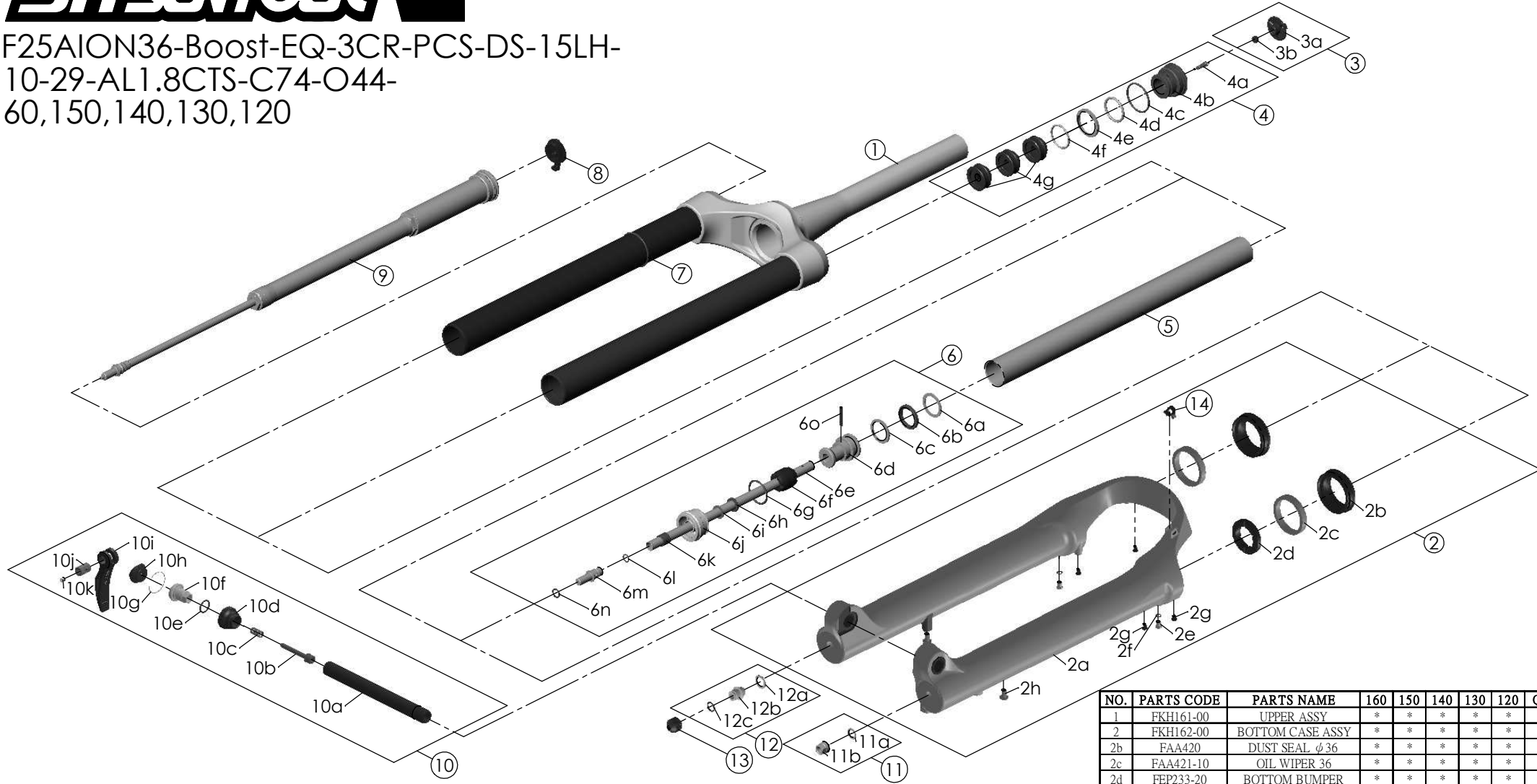




SF25AION36-Boost-EQ-3CR-PCS-DS-15LH-
 110-29-AL1.8CTS-C74-O44-
 160,150,140,130,120

| | | | |
|---------|------------|---------|---|
| Date | 2023.08.20 | Version | 1 |
| Amended | 2024.03.05 | | |



| NO. | PARTS CODE | PARTS NAME | 160 | 150 | 140 | 130 | 120 | QT |
|-----|------------|----------------|-----|-----|-----|-----|-----|----|
| 11 | FKA063-03 | FIXING NUT SET | * | * | * | * | * | 1 |
| 12 | FKE436-10 | FIXING NUT SET | * | * | * | * | * | 1 |
| 13 | FEG201 | REBOUND KNOB | * | * | * | * | * | 1 |
| 14 | FEG034 | CABLE CLIP | * | * | * | * | * | 1 |

| NO. | PARTS CODE | PARTS NAME | 160 | 150 | 140 | 130 | 120 | QT |
|-----|------------|-------------------|-----|-----|-----|-----|-----|----|
| 5 | FPE099-01 | Air Cylinder | * | * | * | * | * | 1 |
| 6 | FKH154-00 | SUPPORT TUBE ASSY | * | | | | | 1 |
| | FKH154-01 | | | * | | | | |
| | FKH154-02 | | | | * | | | |
| | FKH154-03 | | | | | * | | |
| | FKH154-04 | | | | | * | | |
| 7 | FAA397-40 | O RING | * | * | * | * | * | 1 |
| 8 | FKE590-00 | 3CR KNOB ASSY | * | * | * | * | * | 1 |
| 9 | FUN210-78 | 3CR-PCS UNIT | * | * | * | * | * | 1 |
| 10 | FKA116-02 | 15LH-110 AXLE SET | * | * | * | * | * | 1 |

| NO. | PARTS CODE | PARTS NAME | 160 | 150 | 140 | 130 | 120 | QT |
|-----|------------|------------------|-----|-----|-----|-----|-----|----|
| 1 | FKH161-00 | UPPER ASSY | * | * | * | * | * | 1 |
| 2 | FKH162-00 | BOTTOM CASE ASSY | * | * | * | * | * | 1 |
| 2b | FAA420 | DUST SEAL φ36 | * | * | * | * | * | 2 |
| 2c | FAA421-10 | OIL WIPER 36 | * | * | * | * | * | 2 |
| 2d | FEP233-20 | BOTTOM BUMPER | * | * | * | * | * | 1 |
| 2e | FSB188 | SEAL SCREW | * | * | * | * | * | 2 |
| 2f | FAA270 | O RING | * | * | * | * | * | 2 |
| 2g | FAA200-10 | MOUNT CAP | * | * | * | * | * | 4 |
| 2h | FSB203 | FIXING BOLT | * | * | * | * | * | 2 |
| 3 | FKE595 | VALVE CAP ASSY | * | * | * | * | * | 1 |
| 4 | FKE594 | AIR CAP ASSY | * | | | | | 1 |
| | FKE594-10 | | | * | | | | |
| | FKE594-20 | | | | * | | | |
| | FKE594-30 | | | | | * | | |
| | FKE594-40 | | | | | * | | |
| 4g | FEG270-10 | VOLUME REDUCER | * | | | | | 3 |
| | | | | * | | | | 4 |
| | | | | | * | | | 5 |
| | | | | | | * | | 6 |
| | | | | | * | | 7 | |