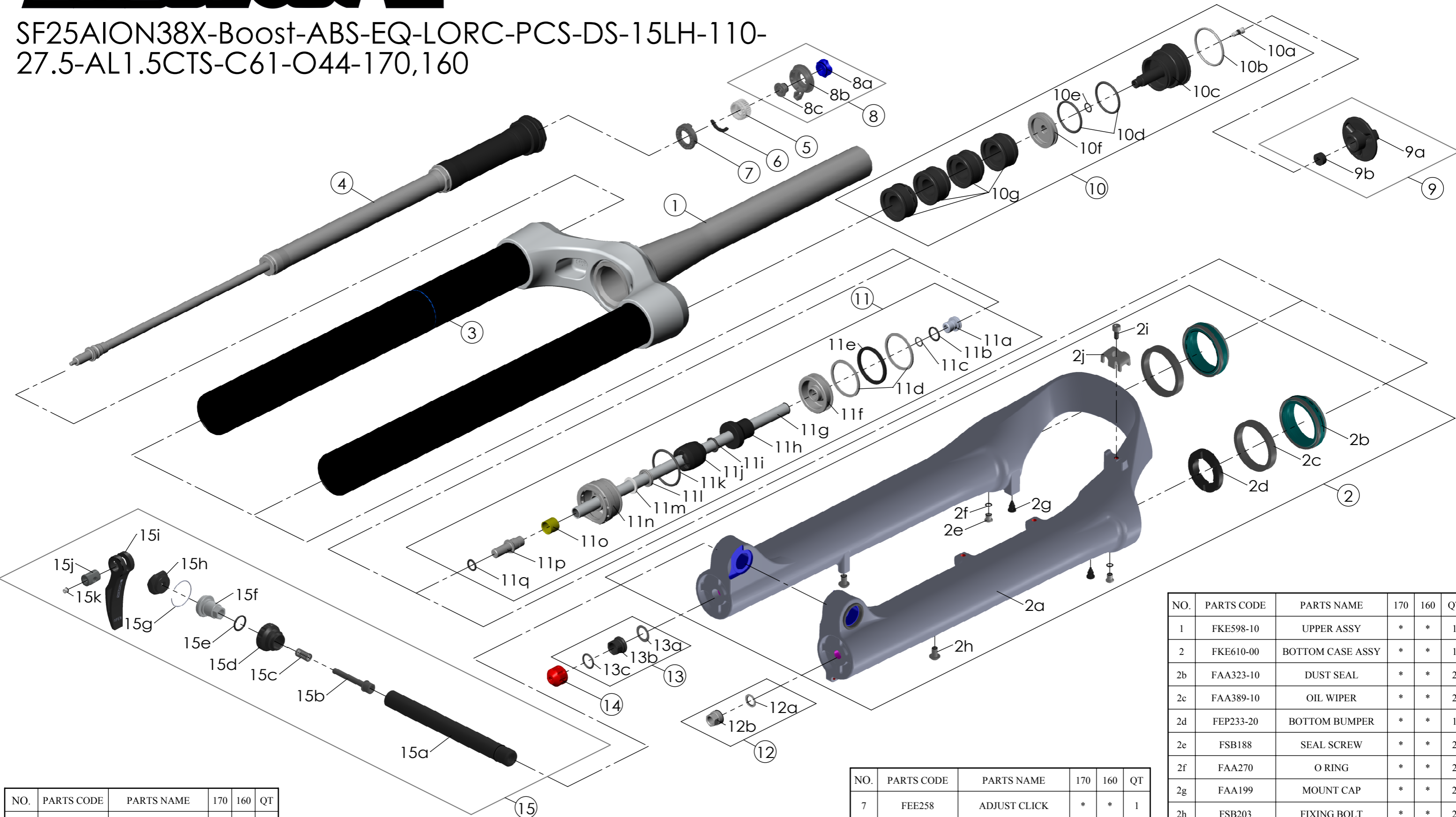


SF25AION38X-Boost-ABS-EQ-LORC-PCS-DS-15LH-110-27.5-AL1.5CTS-C61-O44-170,160



| NO. | PARTS CODE | PARTS NAME | 170 | 160 | QT |
|-----|------------|-------------------|-----|-----|----|
| 11g | FPE002-68 | SUPPORT TUBE | * | | 1 |
| | FPE002-67 | | | * | 1 |
| 12 | FKA063-03 | FIXING NUT SET | * | * | 1 |
| 13 | FKE436-10 | FIXING NUT SET | * | * | 1 |
| 14 | FEG201 | REBOUND KNOB | * | * | 1 |
| 15 | FKA116-02 | 15LH-110 AXLE SET | * | * | 1 |

| NO. | PARTS CODE | PARTS NAME | 170 | 160 | QT |
|-----|------------|-------------------|-----|-----|----|
| 11 | FKE577-06 | SUPPORT TUBE ASSY | * | | 1 |
| | FKE577-16 | | | * | 1 |

| NO. | PARTS CODE | PARTS NAME | 170 | 160 | QT |
|-----|------------|----------------------|-----|-----|----|
| 7 | FEE258 | ADJUST CLICK | * | * | 1 |
| 8 | FKE421 | LO-RC KNOB ASSY | * | * | 1 |
| 9 | FKE076-10 | VALVE CAP ASSY | * | * | 1 |
| 10 | FKE525-14 | VOLUME ADJUSTER ASSY | * | | 1 |
| | FKE525-24 | | | * | 1 |
| 10g | FEG270-30 | VOLUME REDUCER | * | | 3 |
| | | | | * | 4 |

| NO. | PARTS CODE | PARTS NAME | 170 | 160 | QT |
|-----|------------|-------------------|-----|-----|----|
| 1 | FKE598-10 | UPPER ASSY | * | * | 1 |
| 2 | FKE610-00 | BOTTOM CASE ASSY | * | * | 1 |
| 2b | FAA323-10 | DUST SEAL | * | * | 2 |
| 2c | FAA389-10 | OIL WIPER | * | * | 2 |
| 2d | FEP233-20 | BOTTOM BUMPER | * | * | 1 |
| 2e | FSB188 | SEAL SCREW | * | * | 2 |
| 2f | FAA270 | O RING | * | * | 2 |
| 2g | FAA199 | MOUNT CAP | * | * | 2 |
| 2h | FSB203 | FIXING BOLT | * | * | 2 |
| 2i | FSB153 | GUIDE FIXING BOLT | * | * | 1 |
| 2j | FEG519 | CABLE GUIDE | * | * | 1 |
| 3 | FAA397-20 | O RING | * | * | 1 |
| 4 | FUN131-98 | LORC-PCS UNIT | * | * | 1 |
| 5 | FEE256-30 | ADJUST CORE | * | * | 1 |
| 6 | FEE257 | CLICK HOLDER | * | * | 1 |