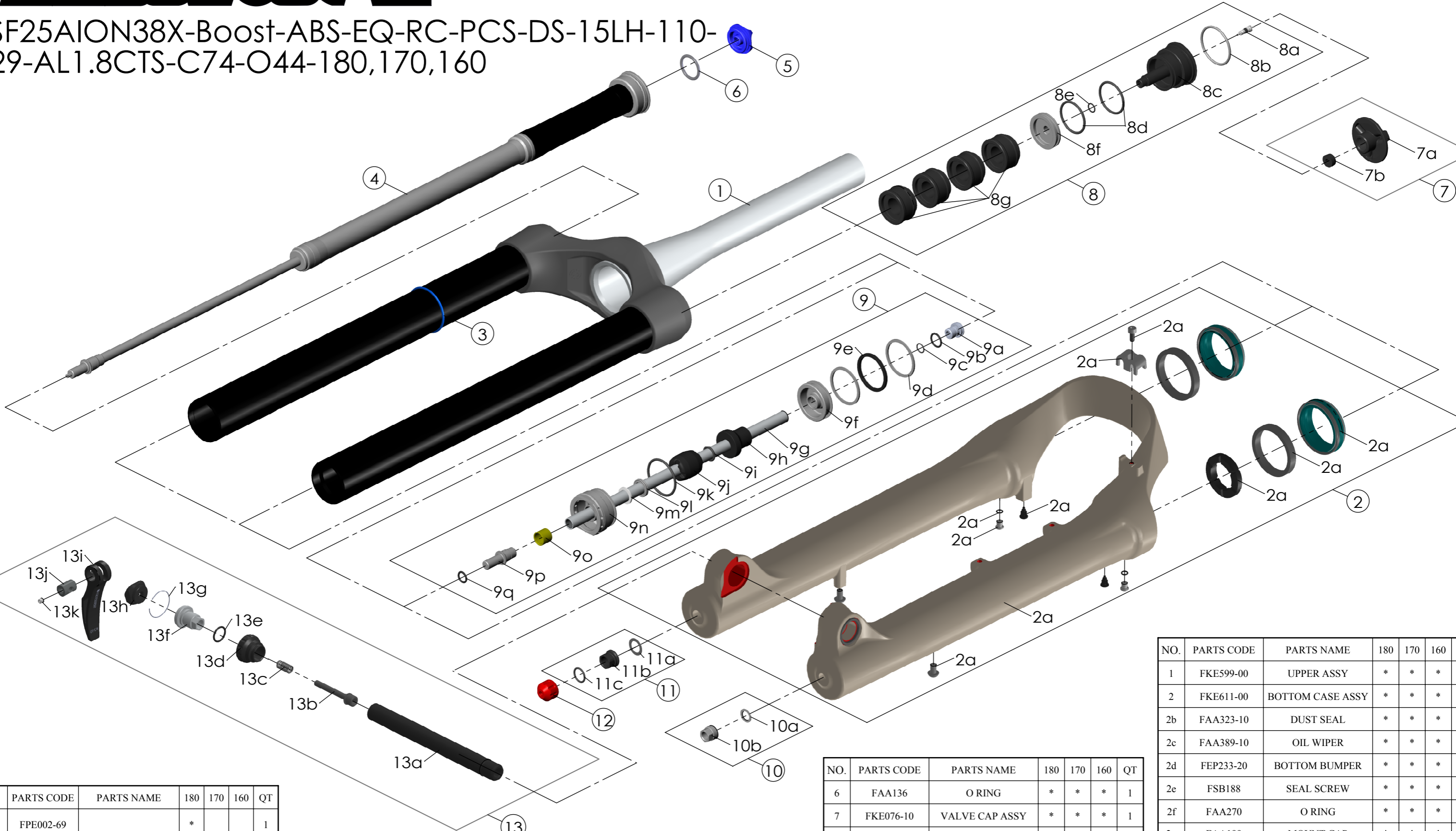


SF25AION38X-Boost-ABS-EQ-RC-PCS-DS-15LH-110-29-AL1.8CTS-C74-O44-180,170,160



| NO. | PARTS CODE | PARTS NAME | 180 | 170 | 160 | QT |
|-----|------------|-------------------|-----|-----|-----|----|
| 9g | FPE002-69 | SUPPORT TUBE | * | | | 1 |
| | FPE002-68 | | | * | | 1 |
| | FPE002-67 | | | | * | 1 |
| 10 | FKA063-03 | FIXING NUT SET | * | * | * | 1 |
| 11 | FKE436-10 | FIXING NUT SET | * | * | * | 1 |
| 12 | FEG201 | REBOUND KNOB | * | * | * | 1 |
| 13 | FKA116-02 | 15LH-110 AXLE SET | * | * | * | 1 |

| NO. | PARTS CODE | PARTS NAME | 180 | 170 | 160 | QT |
|-----|------------|-------------------|-----|-----|-----|----|
| 9 | FKE577-36 | SUPPORT TUBE ASSY | * | | | 1 |
| | FKE577-06 | | | * | | 1 |
| | FKE577-16 | | | | * | 1 |

| NO. | PARTS CODE | PARTS NAME | 180 | 170 | 160 | QT |
|-----|------------|----------------------|-----|-----|-----|----|
| 6 | FAA136 | O RING | * | * | * | 1 |
| 7 | FKE076-10 | VALVE CAP ASSY | * | * | * | 1 |
| 8 | FKE525-04 | VOLUME ADJUSTER ASSY | * | | | 1 |
| | FKE525-14 | | | * | | 1 |
| | FKE525-24 | | | | * | 1 |
| 8g | FEG270-30 | VOLUME REDUCER | * | | | 2 |
| | | | | * | | 3 |
| | | | | | * | 4 |

| NO. | PARTS CODE | PARTS NAME | 180 | 170 | 160 | QT |
|-----|------------|-------------------|-----|-----|-----|----|
| 1 | FKE599-00 | UPPER ASSY | * | * | * | 1 |
| 2 | FKE611-00 | BOTTOM CASE ASSY | * | * | * | 1 |
| 2b | FAA323-10 | DUST SEAL | * | * | * | 2 |
| 2c | FAA389-10 | OIL WIPER | * | * | * | 2 |
| 2d | FEP233-20 | BOTTOM BUMPER | * | * | * | 1 |
| 2e | FSB188 | SEAL SCREW | * | * | * | 2 |
| 2f | FAA270 | O RING | * | * | * | 2 |
| 2g | FAA199 | MOUNT CAP | * | * | * | 2 |
| 2h | FSB203 | FIXING BOLT | * | * | * | 2 |
| 2i | FSB153 | GUIDE FIXING BOLT | * | * | * | 1 |
| 2j | FEG519 | CABLE GUIDE | * | * | * | 1 |
| 3 | FAA397-20 | O RING | * | * | * | 1 |
| 4 | FUN160-95 | RC-PCS UNIT | * | * | * | 1 |
| 5 | FEE862 | ADJUST KNOB | * | * | * | 1 |