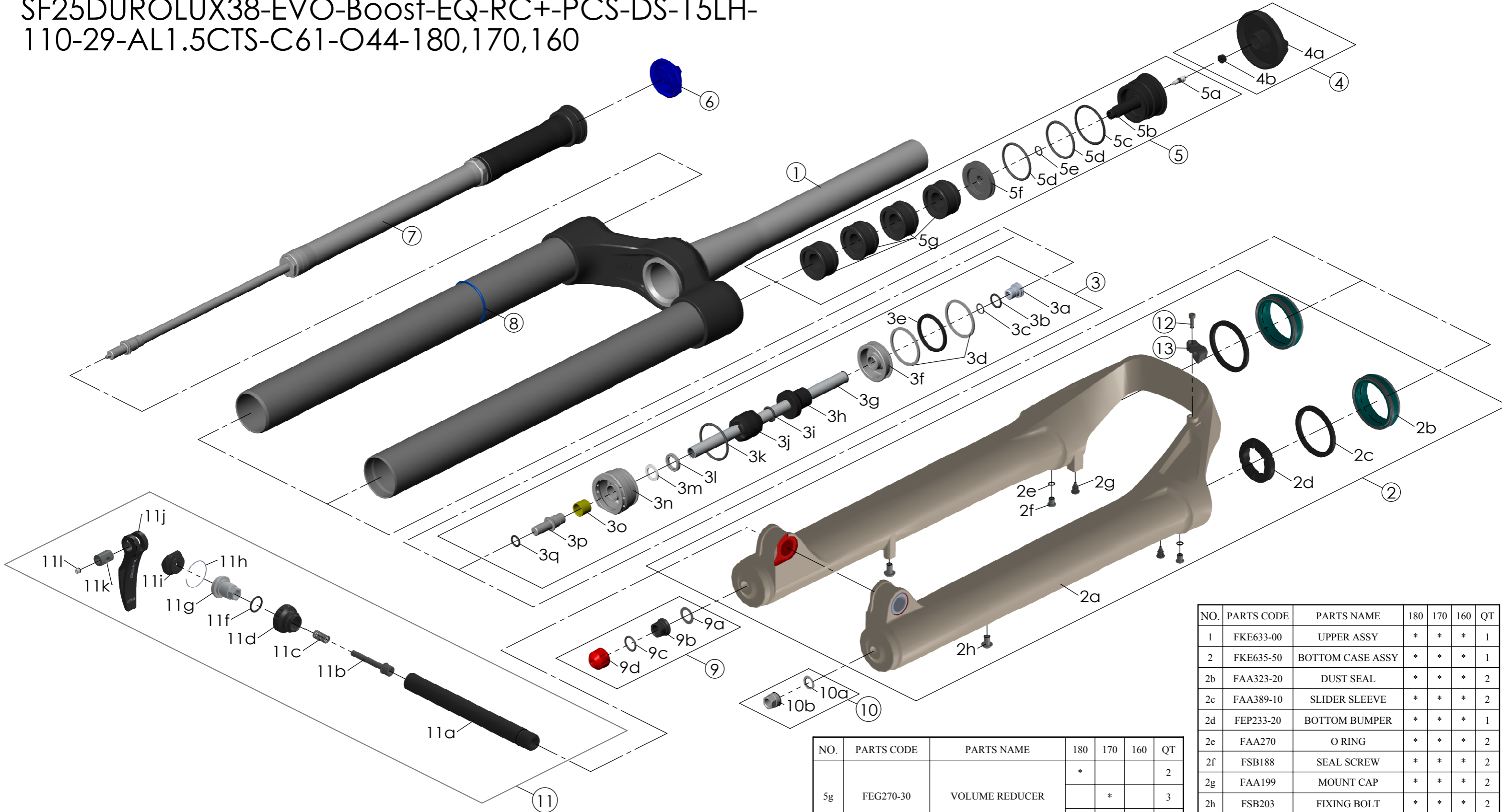


## SF25DUROLUX38-EVO-Boost-EQ-RC+-PCS-DS-15LH-110-29-AL1.5CTS-C61-O44-180,170,160



NO.	PARTS CODE	PARTS NAME	180	170	160	QT
11	FKA116-02	15LH-110 AXLE SET	*	*	*	1
12	FSB091-30	FIXING BOLT	*	*	*	1
13	FEG618	CABLE GUIDE	*	*	*	1

NO.	PARTS CODE	PARTS NAME	180	170	160	QT
5g	FEG270-30	VOLUME REDUCER	*			2
6	FEG604	RC KNOB	*	*	*	1
7	FAA397-20	O RING	*	*	*	1
9	FKE647-00	REBOUND KNOB ASSY	*	*	*	1
10	FKA063-03	FIXING NUT SET	*	*	*	1

NO.	PARTS CODE	PARTS NAME	180	170	160	QT
1	FKE633-00	UPPER ASSY	*	*	*	1
2	FKE635-50	BOTTOM CASE ASSY	*	*	*	1
2b	FAA323-20	DUST SEAL	*	*	*	2
2c	FAA389-10	SLIDER SLEEVE	*	*	*	2
2d	FEP233-20	BOTTOM BUMPER	*	*	*	1
2e	FAA270	O RING	*	*	*	2
2f	FSB188	SEAL SCREW	*	*	*	2
2g	FAA199	MOUNT CAP	*	*	*	2
2h	FSB203	FIXING BOLT	*	*	*	2
3	FKE577-66	SUPPORT TUBE ASSY	*			1
	FKE577-76			*		
	FKE577-86				*	
4	FKE595-10	VALVE CAP ASSY	*	*	*	1
5	FKE525-73	VOLUME ADJUSTER ASSY	*			1
	FKE525-83			*		
	FKE525-93				*	