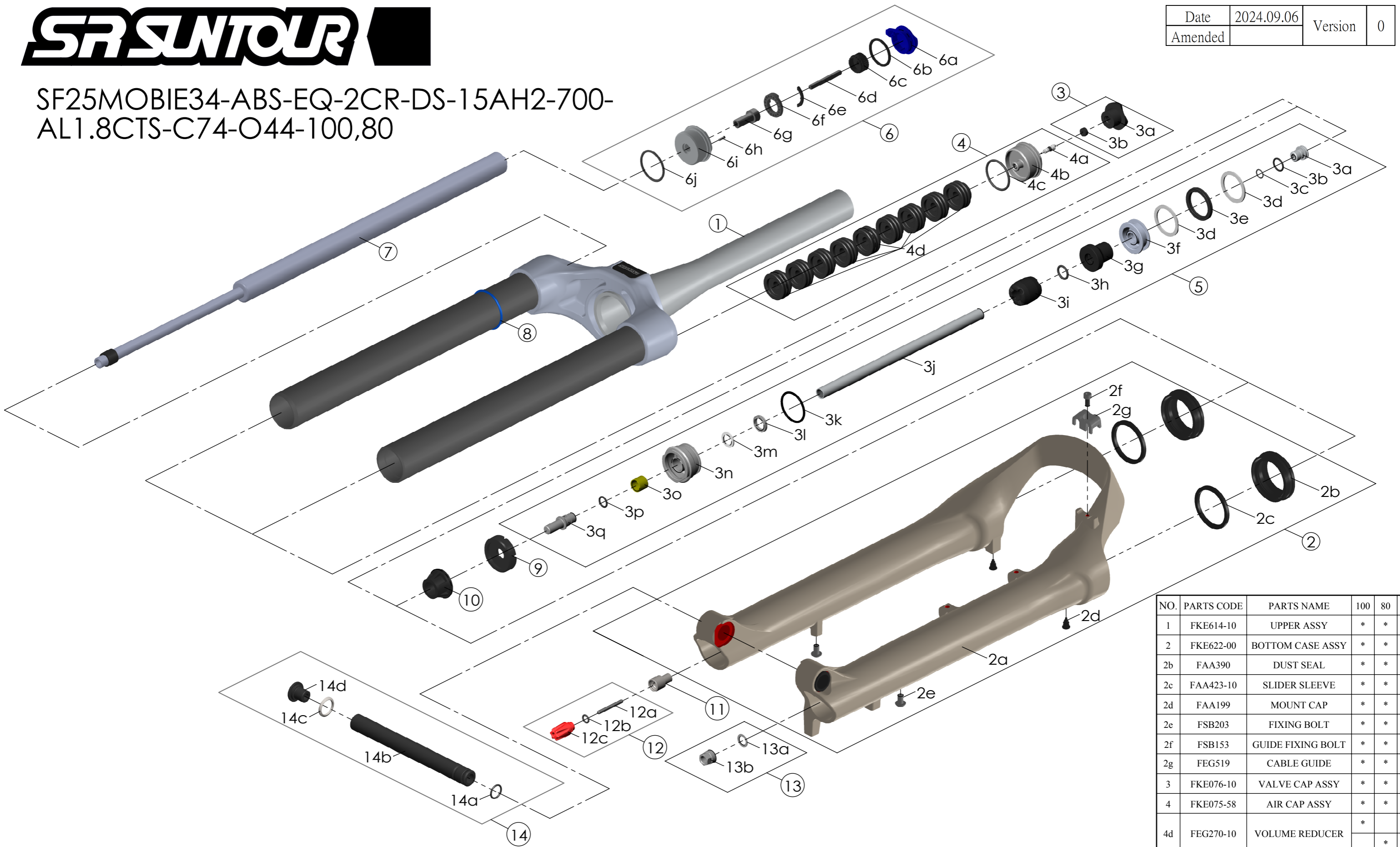


SF25MOBIE34-ABS-EQ-2CR-DS-15AH2-700-  
AL1.8CTS-C74-O44-100,80

|         |            |         |   |
|---------|------------|---------|---|
| Date    | 2024.09.06 | Version | 0 |
| Amended |            |         |   |



| NO. | PARTS CODE | PARTS NAME        | 100 | 80 | QT |
|-----|------------|-------------------|-----|----|----|
| 1   | FKE614-10  | UPPER ASSY        | *   | *  | 1  |
| 2   | FKE622-00  | BOTTOM CASE ASSY  | *   | *  | 1  |
| 2b  | FAA390     | DUST SEAL         | *   | *  | 2  |
| 2c  | FAA423-10  | SLIDER SLEEVE     | *   | *  | 2  |
| 2d  | FAA199     | MOUNT CAP         | *   | *  | 2  |
| 2e  | FSB203     | FIXING BOLT       | *   | *  | 2  |
| 2f  | FSB153     | GUIDE FIXING BOLT | *   | *  | 1  |
| 2g  | FEG519     | CABLE GUIDE       | *   | *  | 1  |
| 3   | FKE076-10  | VALVE CAP ASSY    | *   | *  | 1  |
| 4   | FKE075-58  | AIR CAP ASSY      | *   | *  | 1  |
| 4d  | FEG270-10  | VOLUME REDUCER    | *   |    | 7  |
|     |            |                   |     | *  | 9  |
| 5   | FKE577-17  | SUPPORT TUBE ASSY | *   |    | 1  |
|     | FKE577-27  |                   |     | *  | 1  |
| 6   | FKE526-27  | 2CR TOP CAP ASSY  | *   | *  | 1  |
| 7   | FUN200-00  | LO-R UNIT         | *   | *  | 1  |
| 8   | FAA397-30  | O RING            | *   | *  | 1  |
| 9   | FEP687-10  | BOTTOM BUMPER     | *   | *  | 1  |
| 10  | FEG242-10  | BOTTOM STOPPER    | *   | *  | 1  |

| NO. | PARTS CODE | PARTS NAME         | 100 | 80 | QT |
|-----|------------|--------------------|-----|----|----|
| 11  | FSB058     | DAMPER FIXING BOLT | *   | *  | 1  |
| 12  | FKA004-22  | DAMPER KNOB ASSY   | *   | *  | 1  |
| 13  | FKA063-03  | FIXING NUT SET     | *   | *  | 1  |
| 14  | FKA117-00  | 15AH2-110 AXLE SET | *   | *  | 1  |