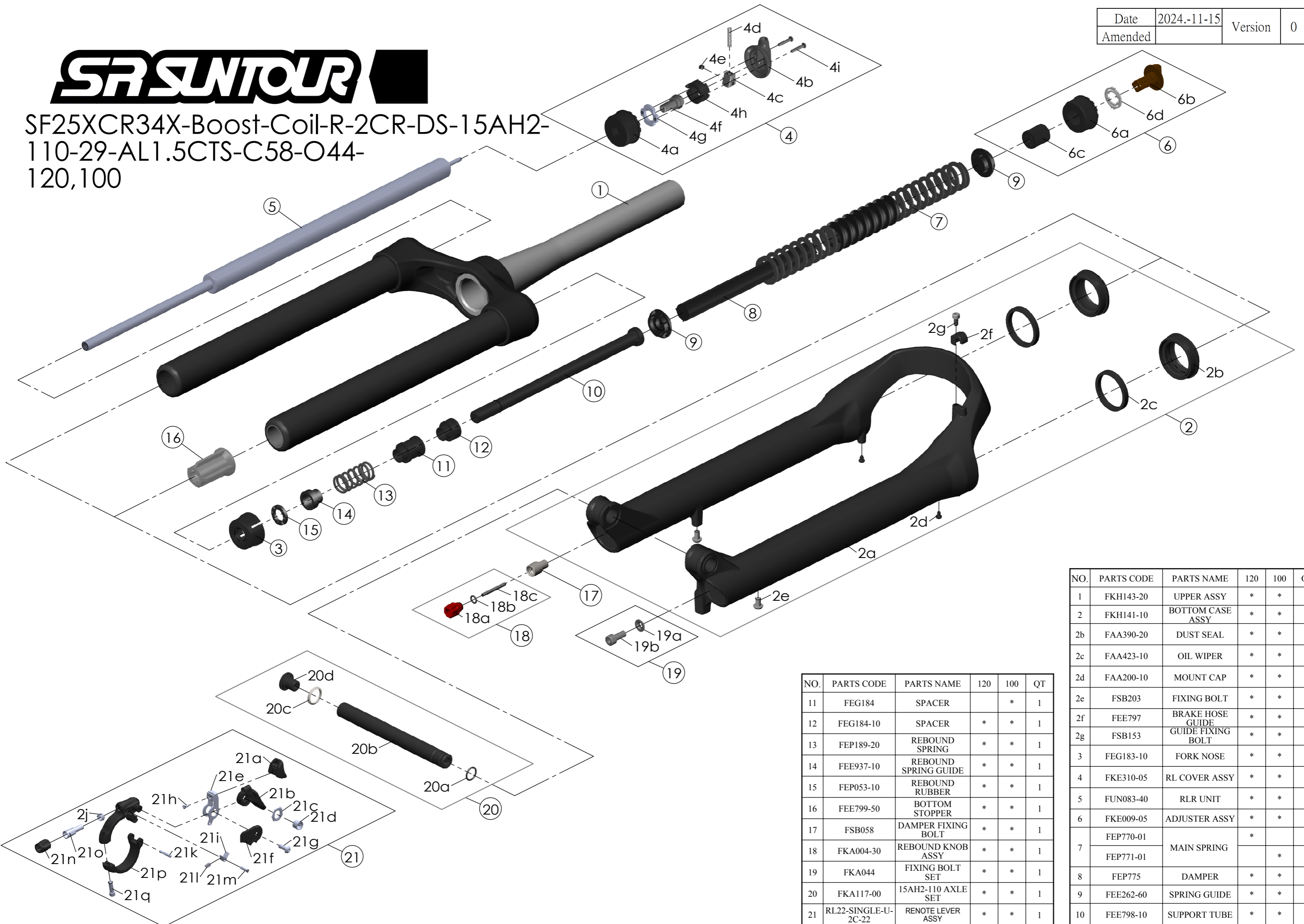




SF25XCR34X-Boost-Coil-R-2CR-DS-15AH2-
110-29-AL1.5CTS-C58-O44-
120,100

| | | | |
|---------|-------------|---------|---|
| Date | 2024.-11-15 | Version | 0 |
| Amended | | | |



| NO. | PARTS CODE | PARTS NAME | 120 | 100 | QT |
|-----|---------------------|----------------------|-----|-----|----|
| 11 | FEG184 | SPACER | | * | 1 |
| 12 | FEG184-10 | SPACER | * | * | 1 |
| 13 | FEP189-20 | REBOUND SPRING | * | * | 1 |
| 14 | FEE937-10 | REBOUND SPRING GUIDE | * | * | 1 |
| 15 | FEP053-10 | REBOUND RUBBER | * | * | 1 |
| 16 | FEE799-50 | BOTTOM STOPPER | * | * | 1 |
| 17 | FSB058 | DAMPER FIXING BOLT | * | * | 1 |
| 18 | FKA004-30 | REBOUND KNOB ASSY | * | * | 1 |
| 19 | FKA044 | FIXING BOLT SET | * | * | 1 |
| 20 | FKA117-00 | 15AH2-110 AXLE SET | * | * | 1 |
| 21 | RL22-SINGLE-U-2C-22 | RENOTE LEVER ASSY | * | * | 1 |

| NO. | PARTS CODE | PARTS NAME | 120 | 100 | QT |
|-----|------------|-------------------|-----|-----|----|
| 1 | FKH143-20 | UPPER ASSY | * | * | 1 |
| 2 | FKH141-10 | BOTTOM CASE ASSY | * | * | 1 |
| 2b | FAA390-20 | DUST SEAL | * | * | 2 |
| 2c | FAA423-10 | OIL WIPER | * | * | 2 |
| 2d | FAA200-10 | MOUNT CAP | * | * | 2 |
| 2e | FSB203 | FIXING BOLT | * | * | 2 |
| 2f | FEE797 | BRAKE HOSE GUIDE | * | * | 1 |
| 2g | FSB153 | GUIDE FIXING BOLT | * | * | 1 |
| 3 | FEG183-10 | FORK NOSE | * | * | 1 |
| 4 | FKE310-05 | RL COVER ASSY | * | * | 1 |
| 5 | FUN083-40 | RLR UNIT | * | * | 1 |
| 6 | FKE009-05 | ADJUSTER ASSY | * | * | 1 |
| 7 | FEP770-01 | MAIN SPRING | * | | 1 |
| | FEP771-01 | | | * | 1 |
| 8 | FEP775 | DAMPER | * | * | 1 |
| 9 | FEE262-60 | SPRING GUIDE | * | * | 2 |
| 10 | FEE798-10 | SUPPORT TUBE | * | * | 1 |