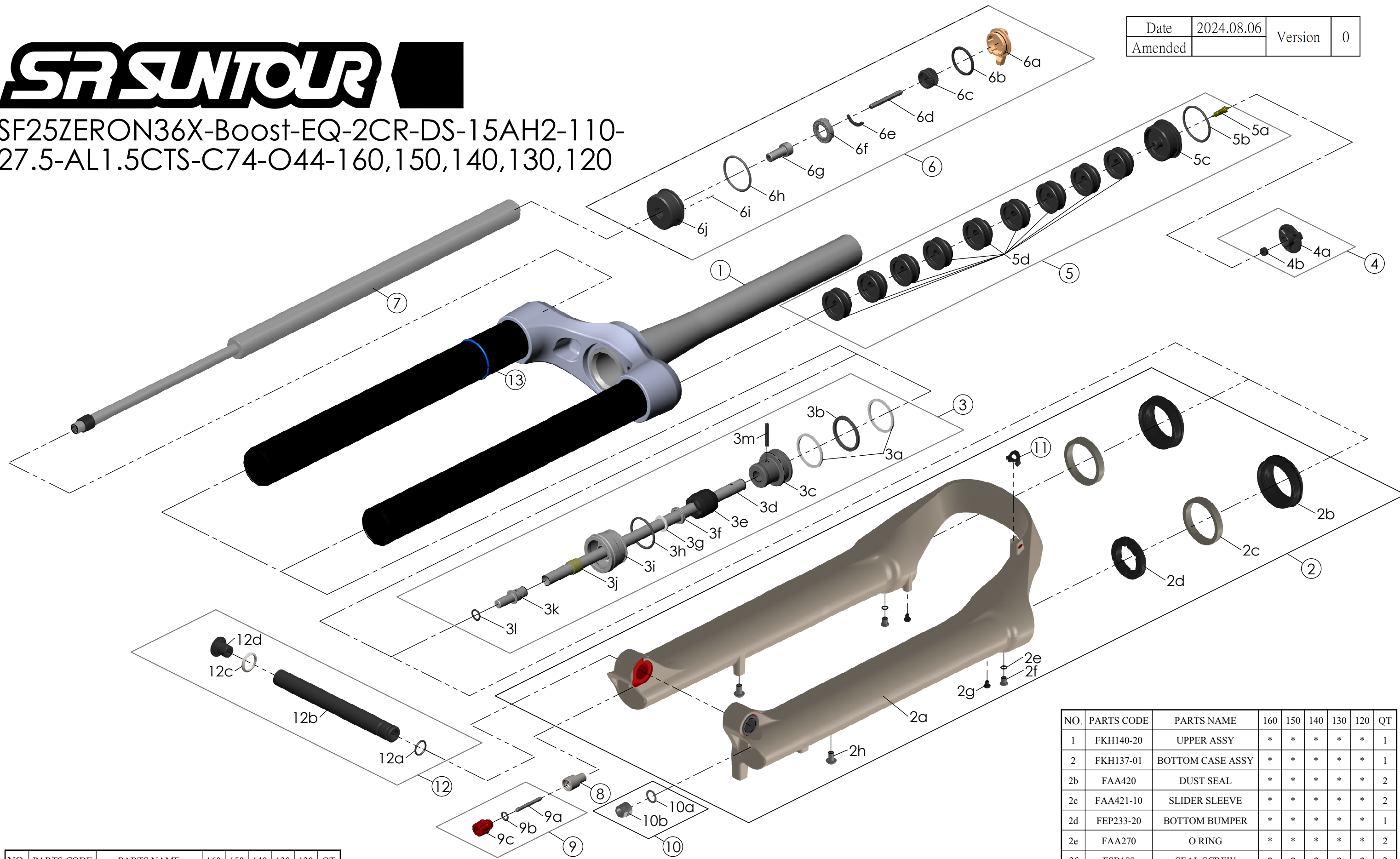




SF25ZERON36X-Boost-EQ-2CR-DS-15AH2-110-27.5-AL1.5CTS-C74-O44-160,150,140,130,120

|         |            |         |   |
|---------|------------|---------|---|
| Date    | 2024.08.06 | Version | 0 |
| Amended |            |         |   |



| NO. | PARTS CODE | PARTS NAME              | 160 | 150 | 140 | 130 | 120 | QT |
|-----|------------|-------------------------|-----|-----|-----|-----|-----|----|
| 7   | FUN200-65  | 2CR UNIT                | *   | *   | *   | *   | *   | 1  |
| 8   | FSB058     | DAMPER FIXING BOLT      | *   | *   | *   | *   | *   | 1  |
| 9   | FKA004-30  | REBOUND KNOB ASSY       | *   | *   | *   | *   | *   | 1  |
| 10  | FKA063-03  | FIXING NUT SET          | *   | *   | *   | *   | *   | 1  |
| 11  | FEG034     | CABLE CLIP              | *   | *   | *   | *   | *   | 1  |
| 12  | FKA117-00  | 15AH2-110 THRU AXLE SET | *   | *   | *   | *   | *   | 1  |
| 13  | FAA397-40  | O RING                  | *   | *   | *   | *   | *   | 1  |

| NO. | PARTS CODE | PARTS NAME      | 160 | 150 | 140 | 130 | 120 | QT |
|-----|------------|-----------------|-----|-----|-----|-----|-----|----|
|     |            |                 | *   |     |     |     |     | 5  |
|     |            |                 |     | *   |     |     |     | 6  |
| 5f  | FEG270     | VOLUME REDUCER  |     |     | *   |     |     | 7  |
|     |            |                 |     |     |     | *   |     | 8  |
|     |            |                 |     |     |     |     | *   | 9  |
| 6   | FKE526-28  | LO TOP CAP ASSY | *   | *   | *   | *   | *   | 1  |

| NO. | PARTS CODE | PARTS NAME     | 160 | 150 | 140 | 130 | 120 | QT |
|-----|------------|----------------|-----|-----|-----|-----|-----|----|
| 4   | FKE595     | VALVE CAP ASSY | *   | *   | *   | *   | *   | 1  |
|     | FKE594-02  |                | *   |     |     |     |     | 1  |
|     | FKE594-12  |                |     | *   |     |     |     | 2  |
| 5   | FKE594-22  | AIR CAP ASSY   |     |     | *   |     |     | 2  |
|     | FKE594-32  |                |     |     |     | *   |     | 1  |
|     | FKE594-42  |                |     |     |     |     | *   | 2  |

| NO. | PARTS CODE | PARTS NAME        | 160 | 150 | 140 | 130 | 120 | QT |
|-----|------------|-------------------|-----|-----|-----|-----|-----|----|
| 1   | FKH140-20  | UPPER ASSY        | *   | *   | *   | *   | *   | 1  |
| 2   | FKH137-01  | BOTTOM CASE ASSY  | *   | *   | *   | *   | *   | 1  |
| 2b  | FAA420     | DUST SEAL         | *   | *   | *   | *   | *   | 2  |
| 2c  | FAA421-10  | SLIDER SLEEVE     | *   | *   | *   | *   | *   | 2  |
| 2d  | FEP233-20  | BOTTOM BUMPER     | *   | *   | *   | *   | *   | 1  |
| 2e  | FAA270     | O RING            | *   | *   | *   | *   | *   | 2  |
| 2f  | FSB188     | SEAL SCREW        | *   | *   | *   | *   | *   | 2  |
| 2g  | FAA200-10  | MOUNT CAP         | *   | *   | *   | *   | *   | 2  |
| 2h  | FSB203     | FIXING BOLT       | *   | *   | *   | *   | *   | 2  |
|     | FKE627-00  |                   | *   |     |     |     |     | 1  |
|     | FKE627-01  |                   |     | *   |     |     |     | 1  |
| 3   | FKE627-02  | AIR CYLINDER ASSY |     |     | *   |     |     | 1  |
|     | FKE627-03  |                   |     |     |     | *   |     | 1  |
|     | FKE627-04  |                   |     |     |     |     | *   | 1  |