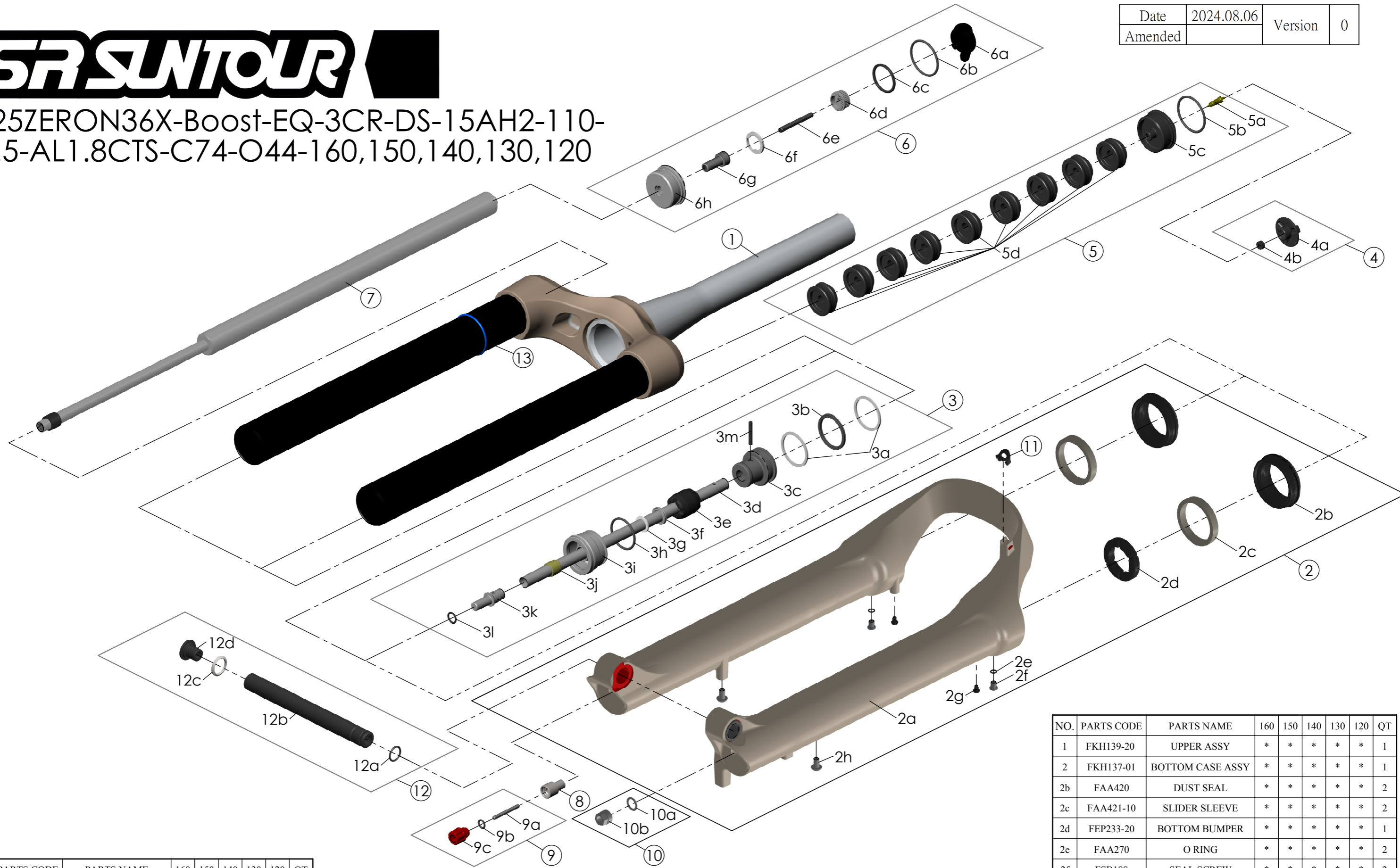




SF25ZERON36X-Boost-EQ-3CR-DS-15AH2-110-27.5-AL1.8CTS-C74-O44-160,150,140,130,120

| | | | |
|---------|------------|---------|---|
| Date | 2024.08.06 | Version | 0 |
| Amended | | | |



| NO. | PARTS CODE | PARTS NAME | 160 | 150 | 140 | 130 | 120 | QT |
|-----|------------|--------------------|-----|-----|-----|-----|-----|----|
| 7 | FUN230-65 | 3CR UNIT | * | * | * | * | * | 1 |
| 8 | FSB058 | DAMPER FIXING BOLT | * | * | * | * | * | 1 |
| 9 | FKA004-30 | REBOUND KNOB ASSY | * | * | * | * | * | 1 |
| 10 | FKA063-03 | FIXING NUT SET | * | * | * | * | * | 1 |
| 11 | FEG034 | CABLE CLIP | * | * | * | * | * | 1 |
| 12 | FKA117-00 | 15AH2-110 AXLE SET | * | * | * | * | * | 1 |
| 13 | FAA397-40 | O RING | * | * | * | * | * | 1 |

| NO. | PARTS CODE | PARTS NAME | 160 | 150 | 140 | 130 | 120 | QT |
|-----|------------|------------------|-----|-----|-----|-----|-----|----|
| | | | * | | | | | 5 |
| | | | | * | | | | 6 |
| 5f | FEG270 | VOLUME REDUCER | | | * | | | 7 |
| | | | | | | * | | 8 |
| | | | | | | | * | 9 |
| 6 | FKE596-00 | 3CR TOP CAP ASSY | * | * | * | * | * | 1 |

| NO. | PARTS CODE | PARTS NAME | 160 | 150 | 140 | 130 | 120 | QT |
|-----|------------|----------------|-----|-----|-----|-----|-----|----|
| 4 | FKE595 | VALVE CAP ASSY | * | * | * | * | * | 1 |
| | FKE594-02 | | * | | | | | 1 |
| | FKE594-12 | | | * | | | | 2 |
| 5 | FKE594-22 | AIR CAP ASSY | | | * | | | 2 |
| | FKE594-32 | | | | | * | | 1 |
| | FKE594-42 | | | | | | * | 2 |

| NO. | PARTS CODE | PARTS NAME | 160 | 150 | 140 | 130 | 120 | QT |
|-----|------------|-------------------|-----|-----|-----|-----|-----|----|
| 1 | FKH139-20 | UPPER ASSY | * | * | * | * | * | 1 |
| 2 | FKH137-01 | BOTTOM CASE ASSY | * | * | * | * | * | 1 |
| 2b | FAA420 | DUST SEAL | * | * | * | * | * | 2 |
| 2c | FAA421-10 | SLIDER SLEEVE | * | * | * | * | * | 2 |
| 2d | FEP233-20 | BOTTOM BUMPER | * | * | * | * | * | 1 |
| 2e | FAA270 | O RING | * | * | * | * | * | 2 |
| 2f | FSB188 | SEAL SCREW | * | * | * | * | * | 2 |
| 2g | FAA200-10 | MOUNT CAP | * | * | * | * | * | 2 |
| 2h | FSB203 | FIXING BOLT | * | * | * | * | * | 2 |
| | FKE627-00 | | * | | | | | 1 |
| | FKE627-01 | | | * | | | | 1 |
| 3 | FKE627-02 | AIR CYLINDER ASSY | | | * | | | 1 |
| | FKE627-03 | | | | | * | | 1 |
| | FKE627-04 | | | | | | * | 1 |